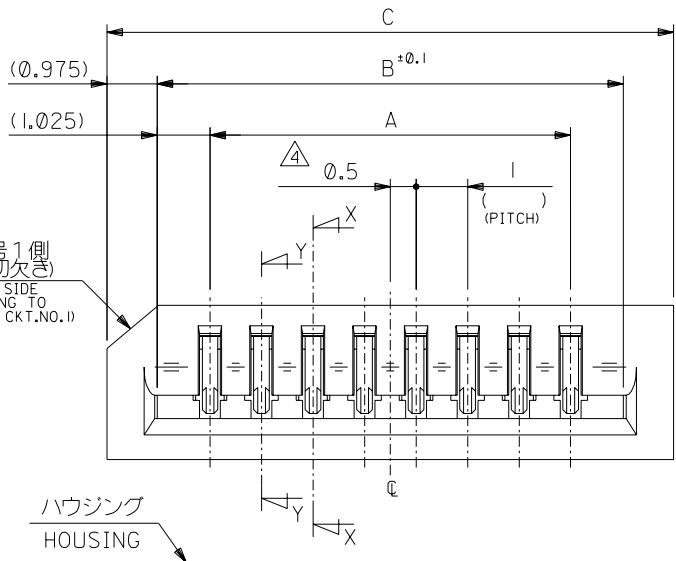
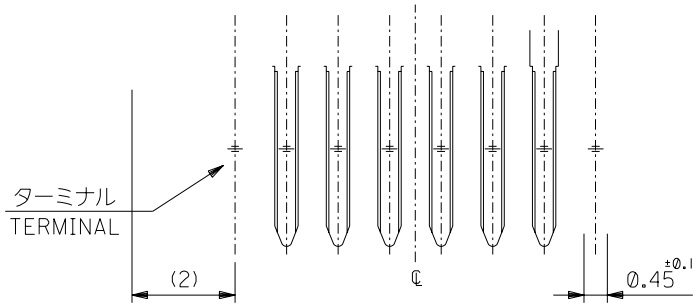


回路番号1側  
(表示用切欠き)  
CKT.NO.1 SIDE  
(CHAMFERING TO  
INDICATE CKT.NO.1)

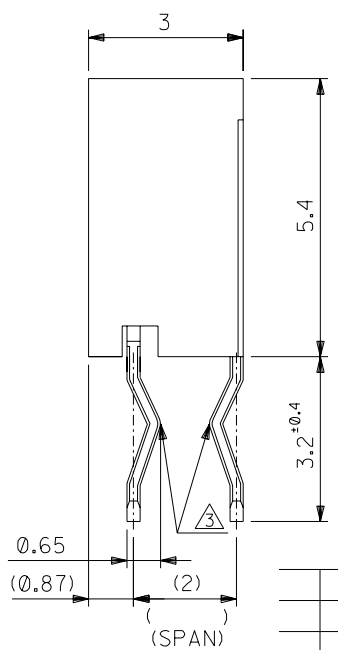
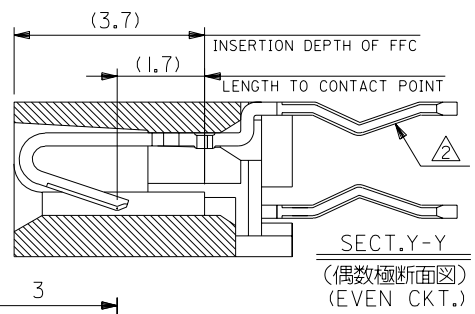
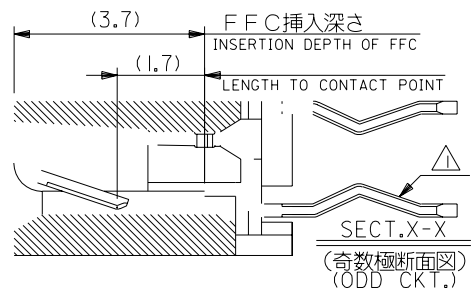


ハウジング  
HOUSING



注記 NOTES

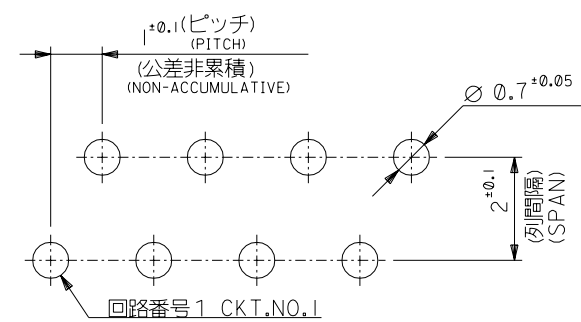
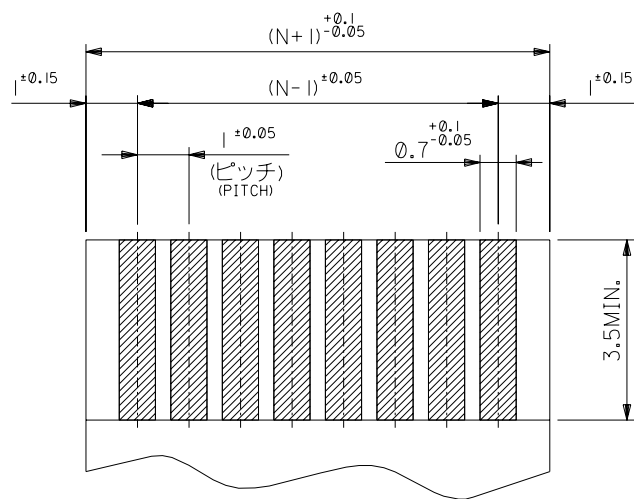
- ① 回路番号1を基準に奇数番目の極におけるソルダーテ  
ODD NUMBER SOLDER TAIL FROM THE CKT.NO.1.
- ② 基準に 数番目の極におけるソルダーテール。  
EVEN NUMBER SOLDER TAIL FROM THE CKT.NO.1.
- ③ SOLDER TAIL KINK SHALL BE PROVIDED ON ALL TAILS.
- ④ APPLY FOR EVEN CKT.



無鉛  
LEAD FREE

33	31.05	29	52806-3010	30
32	30.05	28	-2910	29
31	29.05	27	-2810	28
30	28.05	26	-2710	27
29	27.05	25	-2610	26
28	26.05	24	-2510	25
27	25.05	23	-2410	24
26	24.05	22	-2310	23
25	23.05	21	-2210	22
24	22.05	20	-2110	21
23	21.05	19	-2010	20
22	20.05	18	-1910	19
21	19.05	17	-1810	18
20	18.05	16	-1710	17
19	17.05	15	-1610	16
18	16.05	14	-1510	15
17	15.05	13	-1410	14
16	14.05	12	-1310	13
15	13.05	11	-1210	12
14	12.05	10	-1110	11
13	11.05	9	-1010	10
12	10.05	8	-0910	9
11	9.05	7	-0810	8
10	8.05	6	-0710	7
9	7.05	5	-0610	6
8	6.05	4	-0510	5
7	5.05	3	-0410	4
6	4.05	2	52806-0310	3
C	B	A	ENG. NO	CIRCUIT

材料 MATERIAL	HOUSING	材料 MATERIAL	HOUSING
仕上げ FINISH	—//—	材料 MATERIAL	HOUSING
適用電線範囲 WIRE RANGE	—//—	材料 MATERIAL	HOUSING
被覆外径 INS. RANGE	—//—	材料 MATERIAL	HOUSING
DRAWN BY	S.AIHARA	材料 MATERIAL	HOUSING
CHK'D BY	S.KUNISHI	材料 MATERIAL	HOUSING
APP'D BY	M.FUKUSHIMA	材料 MATERIAL	HOUSING
DR. CHK.	DATE	材料 MATERIAL	HOUSING



(仕上がり厚さ0.3<sup>±0.03</sup>)  
THICKNESS  
適合FPC推奨寸法  
APPLICABLE FPC  
RECOMMENDED DIMENSION.

基板取付穴推奨寸法  
RECOMMENDED P.C. BOARD  
HOLE DIMENSION  
(マウント面, t=1.6)  
(MOUNTING SIDE, t=1.6)

無鉛  
LEAD FREE

角度 ANGLE		±3°				材料 MATERIAL	—//—	MOLEX-JAPAN CO.,LTD. 日本モレックス株式会社 REVISE ONLY ON CAD SYSTEM TITLE 名称 1.0 FFC CONN. NON Z.I.F. DIP ST.
30以上 OVER		+0.3	B	REVISED J2003-0413	S.A.M.	仕上げ FINISH	—//—	
10以上 OVER 30未滿 UNDER		+0.25	A	REVISED (J40670)	S.A.M.	適用電線範囲 WIRE RANGE	—//—	
10未滿 UNDER		+0.2	0	PROPOSED (J40434)	S.A.M.	被覆外径 INS. RANGE	—//—	
一般公差 GENERAL TOLERANCES			記号 LTR	変更内容 REVISION RECORD	DR. CHK.	日付 DATE	材料 MATERIAL	DWG. NO. (SHEET 2 OF 2) REV B
							材料 MATERIAL	SD-52806-**-10
							仕上げ FINISH	
							適用電線範囲 WIRE RANGE	
							被覆外径 INS. RANGE	
							DRAWN BY '94/ 6/ 3 S.AIHARA	
							CHK'D BY '94/ 8/20 S.KUNISHI	
							APP'D BY '94/ 8/20 M.FUKUSHIMA	
							尺度 SCALE 10-1	

DIMENSIONS IN METRIC DO NOT SCALE DRAWING

A52806.S12