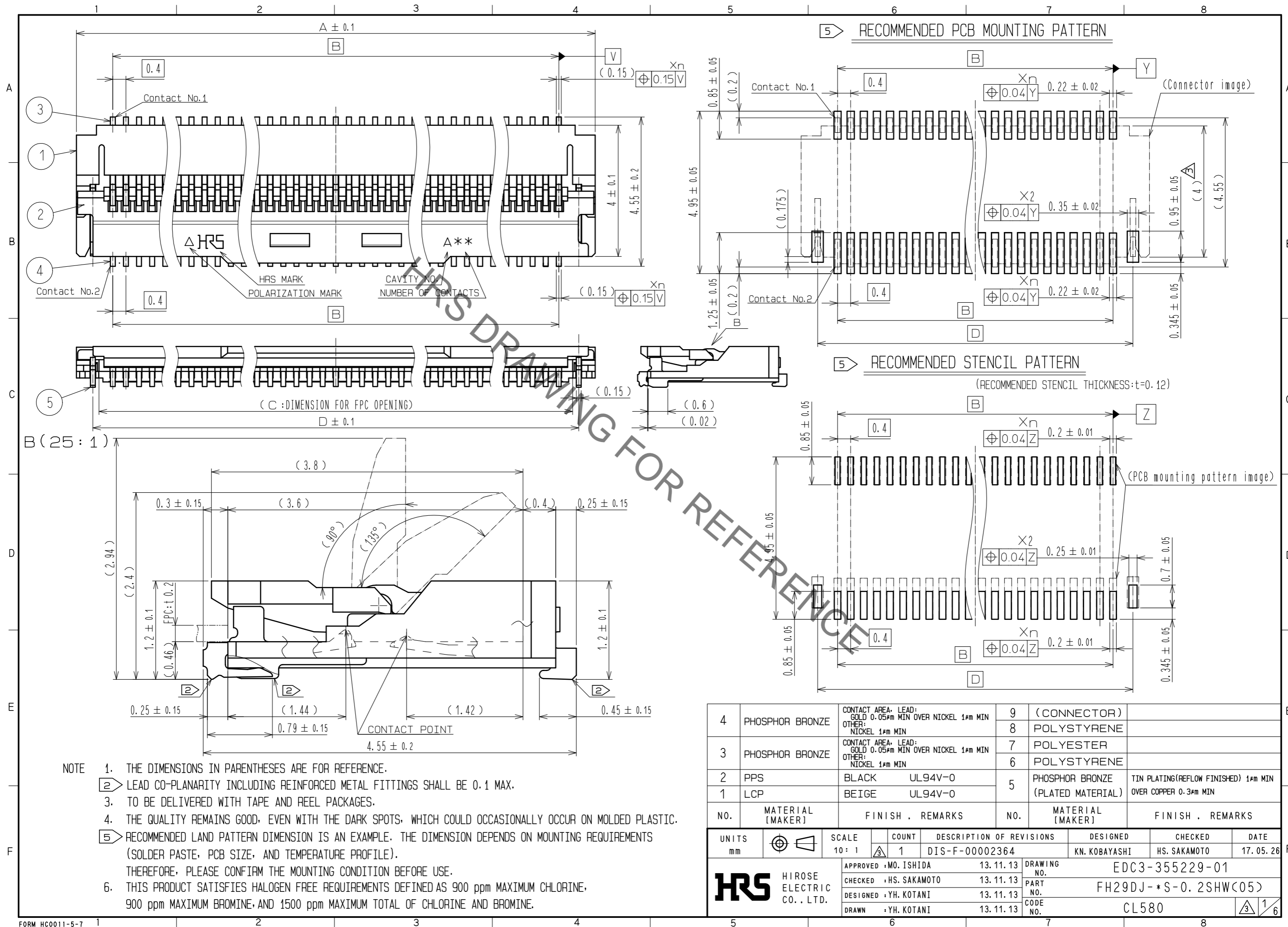
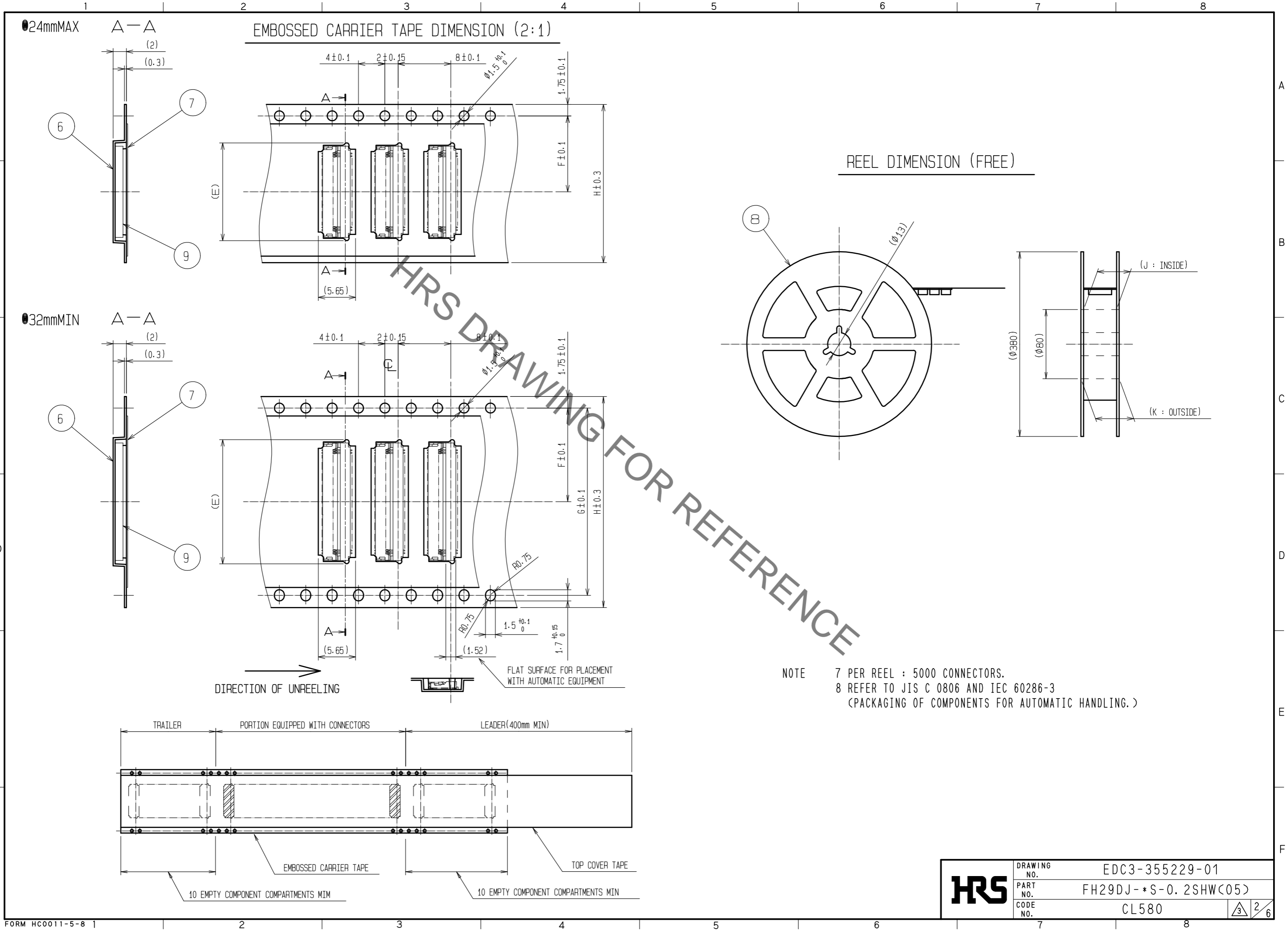


Dec.1.2020 Copyright 2020 HIROSE ELECTRIC CO., LTD. All Rights Reserved.
In case of consideration for using Automotive equipment / device which demand high reliability, kindly contact our sales window correspondents.



4	PHOSPHOR BRONZE	CONTACT AREA, LEAD: GOLD 0.05µm MIN OVER NICKEL 1µm MIN OTHER: NICKEL 1µm MIN	9	(CONNECTOR)	
3	PHOSPHOR BRONZE	CONTACT AREA, LEAD: GOLD 0.05µm MIN OVER NICKEL 1µm MIN OTHER: NICKEL 1µm MIN	8	POLYSTYRENE	
2	PPS	BLACK UL94V-0	7	POLYESTER	
1	LCP	BEIGE UL94V-0	6	POLYSTYRENE	
			5	PHOSPHOR BRONZE (PLATED MATERIAL)	TIN PLATING(REFLOW FINISHED) 1µm MIN OVER COPPER 0.3µm MIN
NO.	MATERIAL [MAKER]	FINISH . REMARKS	NO.	MATERIAL [MAKER]	FINISH . REMARKS
UNITS mm		SCALE 10 : 1	COUNT 1	DESCRIPTION OF REVISIONS DIS-F-00002364	DESIGNED KN. KOBAYASHI
					CHECKED HS. SAKAMOTO
					DATE 17.05.26
HRS	HIROSE ELECTRIC CO., LTD.	APPROVED : MO. ISHIDA 13.11.13	CHECKED : HS. SAKAMOTO 13.11.13	DESIGNED : YH. KOTANI 13.11.13	DRAWN : YH. KOTANI 13.11.13
					DRAWING NO. EDC3-355229-01
					PART NO. FH29DJ-*S-0.2SHW(C05)
					CODE NO. CL580

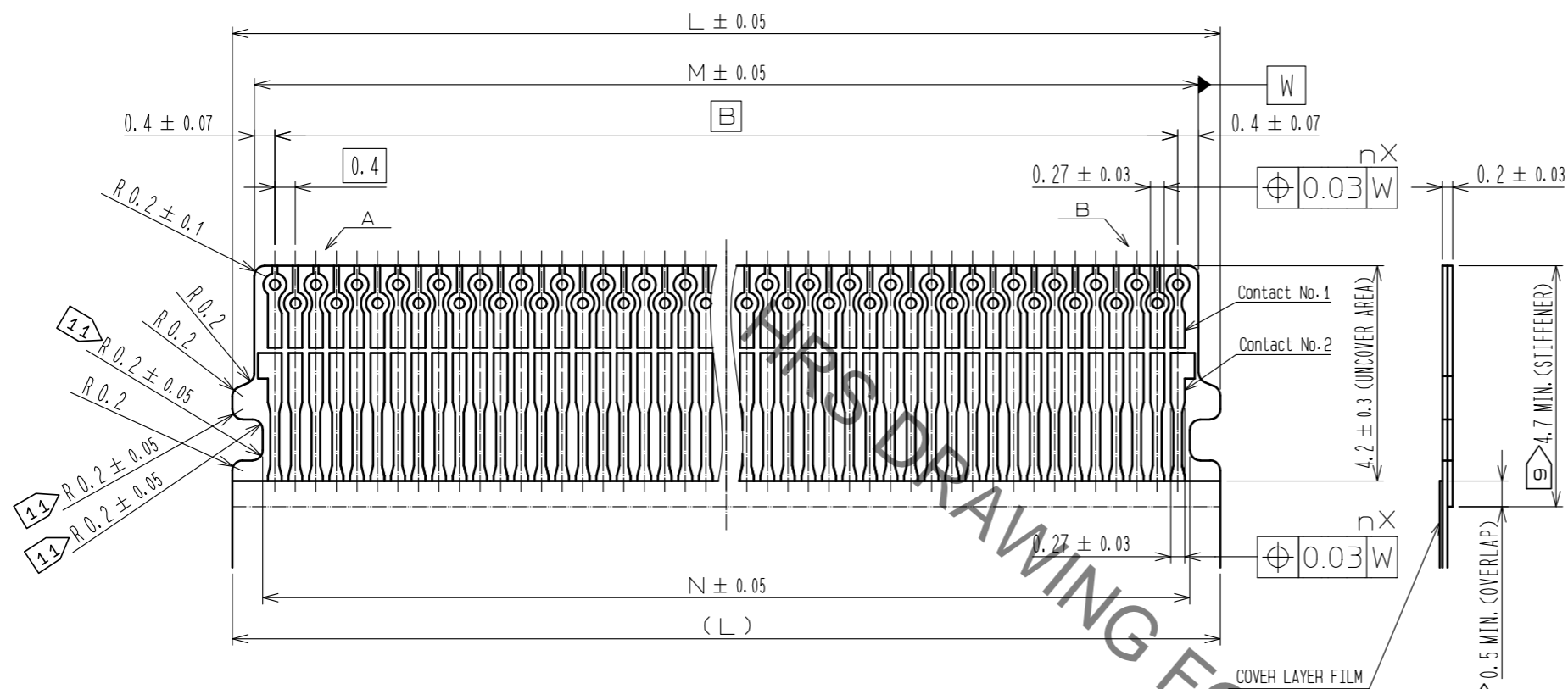
Dec.1.2020 Copyright 2020 HIROSE ELECTRIC CO., LTD. All Rights Reserved.
 In case of consideration for using Automotive equipment / device which demand high reliability, kindly contact our sales window correspondents.



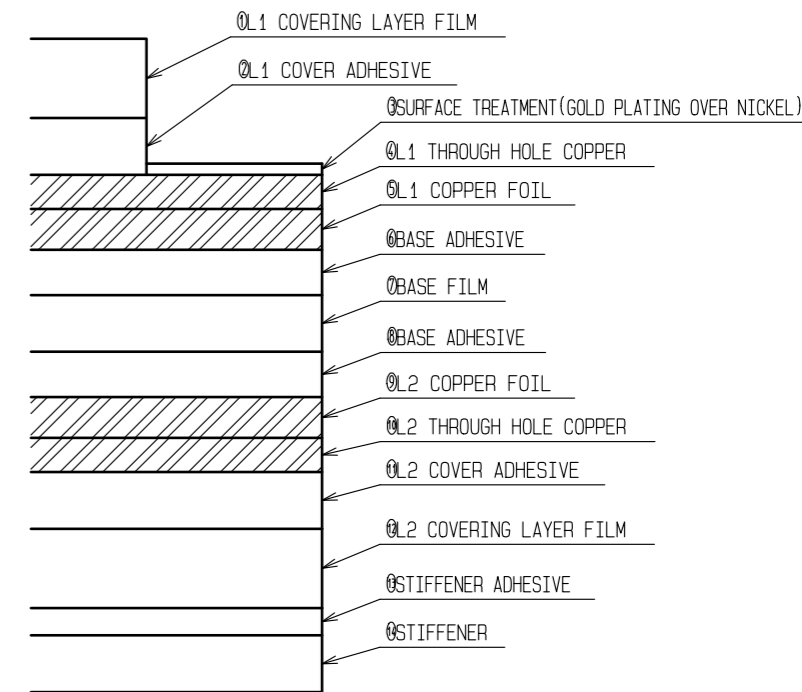
HRS	DRAWING NO.	EDC3-355229-01
	PART NO.	FH29DJ-*S-0.2SHW(05)
	CODE NO.	CL580
		3/2/6

Dec.1.2020 Copyright 2020 HIROSE ELECTRIC CO., LTD. All Rights Reserved.
 In case of consideration for using Automotive equipment / device which demand high reliability, kindly contact our sales window correspondents.

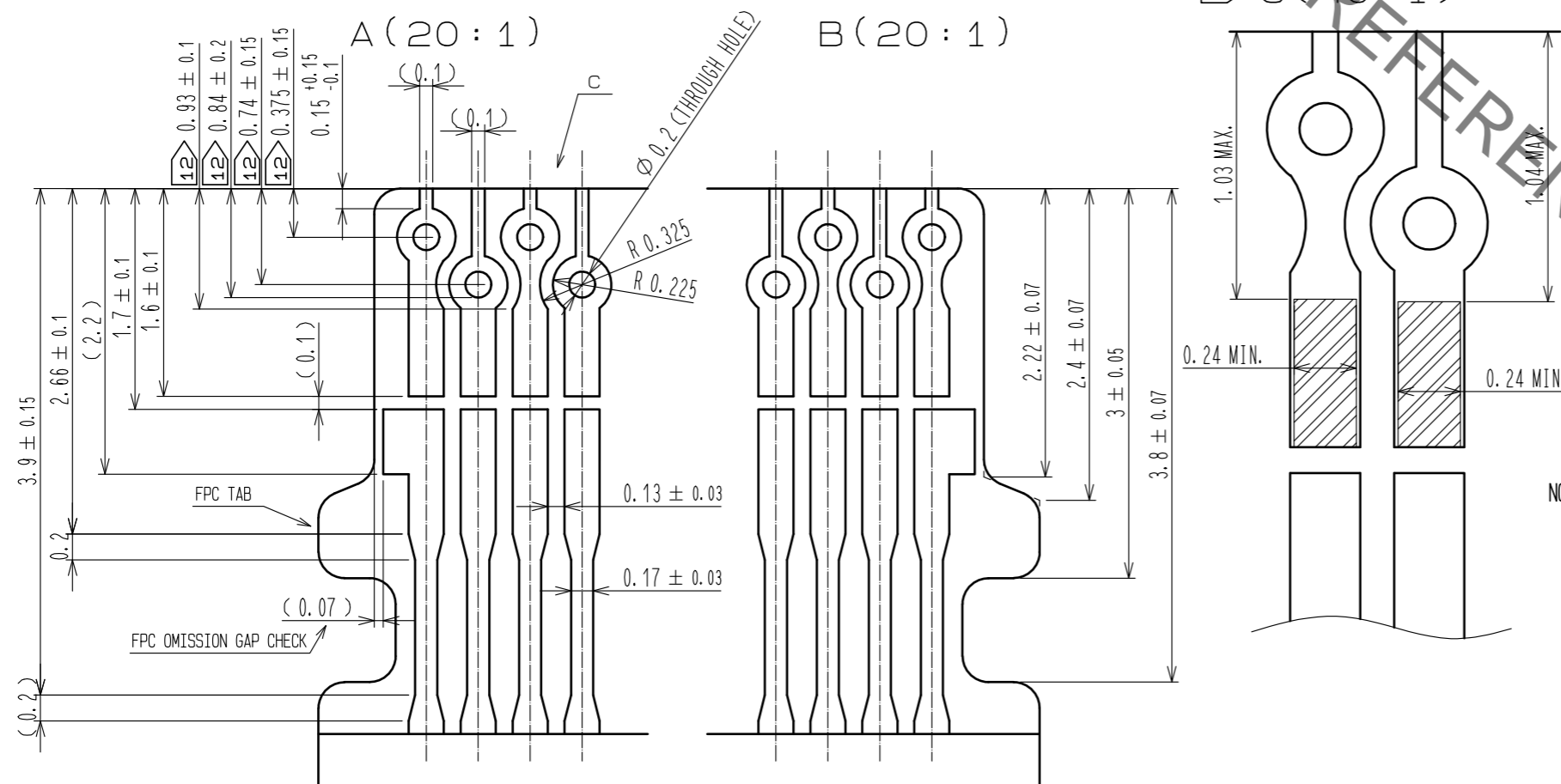
RECOMMENDED FPC(FREE)



FPC CONFIGURATION (REFERENCE EXAMPLE)
(SCALE:FREE)



	THICKNESS (μm)		NOTES
	3 LAYERS CCL	2 LAYERS CCL	
①	25	12.5	
②	30	25	
③	3.5	3.5	GOLD PLATING OVER NICKEL
④	13	13	
⑤	18	12	
⑥	10	NO ADHESION MATERIAL	
⑦	25	25	
⑧	10	NO ADHESION MATERIAL	
⑨	18	12	
⑩	13	13	
⑪	25	20	
⑫	12.5	12.5	
⑬	30	30	POLYIMIDE + HEAT-HARDENED ADHESIVE
⑭	25	75	
TOTAL	203	216	TOTAL OF ③~⑭



NOTE

- ⑨ THE AMOUNT OF OVERLAP MUST BE 0.5mm MINIMUM WHEN THE STIFFENER IS SHORTER THAN 4.7mm.
- ⑩ FPC THICKNESS TO BE $t=0.20 \pm 0.03$ mm, REFERRING TO THE COMPONENT CONFIGURATION.
- ⑪ R TO BE 0.25mm MAX WHEN THE FPC MANUFACTURING TOLERANCE DOES NOT SATISFY ± 0.05 mm.
- ⑫ IN CASE THE DESIGNATED DIMENSIONS 0.93 ± 0.1 , 0.84 ± 0.2 , 0.74 ± 0.15 , AND 0.375 ± 0.15 ARE UNMEASURABLE, PLEASE RESERVE THE HATCHING AREA OF MAGNIFIED DRAWING C.

HRS DRAWING NO. EDC3-355229-01
 PART NO. FH29DJ-*S-0.2SHW<05>
 CODE NO. CL580

Dec.1.2020 Copyright 2020 HIROSE ELECTRIC CO., LTD. All Rights Reserved.
 In case of consideration for using Automotive equipment / device which demand high reliability, kindly contact our sales window correspondents.

PART NUMBER	CL NUMBER	NUMBER OF CONTACT	DIMENSION OF CONNECTOR, PCB MOUNTING PATTERN AND STENCIL					DIMENSION OF DRAWING FOR PACKING					DIMENSION OF RECOMMENDED FPC			
			A	B	C	D	n	E	F	G	H	J	K	L	M	N
FH29DJ-44S-0.2SHW(05)	CL580-0337-3-05	44	10.62	8.4	9.24	9.615	22	11.62	11.5	-	24	25.4	29.4	10.06	9.2	8.87
FH29DJ-50S-0.2SHW(05)	CL580-0338-6-05	50	11.82	9.6	10.44	10.815	25	12.82	11.5	-	24	25.4	29.4	11.26	10.4	10.07
FH29DJ-60S-0.2SHW(05)	CL580-0343-6-05	60	13.82	11.6	12.44	12.815	30	14.82	11.5	-	24	25.4	29.4	13.26	12.4	12.07
FH29DJ-70S-0.2SHW(05)	CL580-0336-0-05	70	15.82	13.6	14.44	14.815	35	16.82	11.5	-	24	25.4	29.4	15.26	14.4	14.07
FH29DJ-80S-0.2SHW(05)	CL580-0341-0-05	80	17.82	15.6	16.44	16.815	40	18.82	14.2	28.4	32	33.4	37.4	17.26	16.4	16.07
FH29DJ-90S-0.2SHW(05)	CL580-0340-8-05	90	19.82	17.6	18.44	18.815	45	20.82	20.2	40.4	44	45.4	49.4	19.26	18.4	18.07
FH29DJ-100S-0.2SHW(05)	CL580-0335-8-05	100	21.82	19.6	20.44	20.815	50	22.82	20.2	40.4	44	45.4	49.4	21.26	20.4	20.07
FH29DJ-110S-0.2SHW(05)	CL580-0339-9-05	110	23.82	21.6	22.44	22.815	55	24.72	20.2	40.4	44	45.4	49.4	23.26	22.4	22.07
FH29DJ-120S-0.2SHW(05)	CL580-0342-3-05	120	25.82	23.6	24.44	24.815	60	26.82	20.2	40.4	44	45.4	49.4	25.26	24.4	24.07

HRS	DRAWING NO.	EDC3-355229-01
	PART NO.	FH29DJ-*S-0.2SHW(05)
	CODE NO.	CL580

3	4	6
---	---	---

Dec.1.2020 Copyright 2020 HIROSE ELECTRIC CO., LTD. All Rights Reserved.
 In case of consideration for using Automotive equipment / device which demand high reliability, kindly contact our sales window correspondents.

This connector is small and thin and requires delicate and careful handling. Read through the instructions shown below and handle the connector properly. Each values indicating here are for reference and may differ from standard value.

[INSTRUCTIONS FOR MOUNTING ON THE BOARD]

◆Warp of Board

Minimize warp of the board as much as possible.
 Lead co-planarity including reinforced metal fittings is 0.1 mm or less.
 Too much warp of the board may result in a soldering failure.

◆Flexible board design

Please make sure to put a stiffener on the backside of the flexible board.
 We recommend a glass epoxy material with the thickness of 0.3mm MIN.

◆Load to Connector

Do not add 0.5N or greater external force when unreel or pick and place the connector etc. or it may get broken.
 In addition, do not insert the FPC or operate the connector before mounting it.

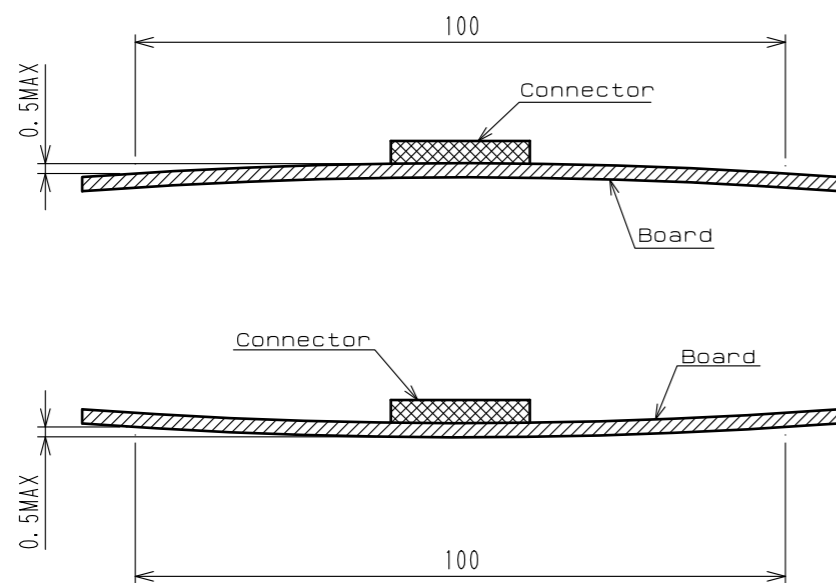
[INSTRUCTIONS FOR PCB HANDLING AFTER MOUNTING THE CONNECTOR]

◆Load to Board

- Splitting a large board into several pieces
 - Screwing the board
- Avoid the handling described above so that no force is exerted on the board during the assembly process. Otherwise, the connector may become defective.

◆Amount of Warp

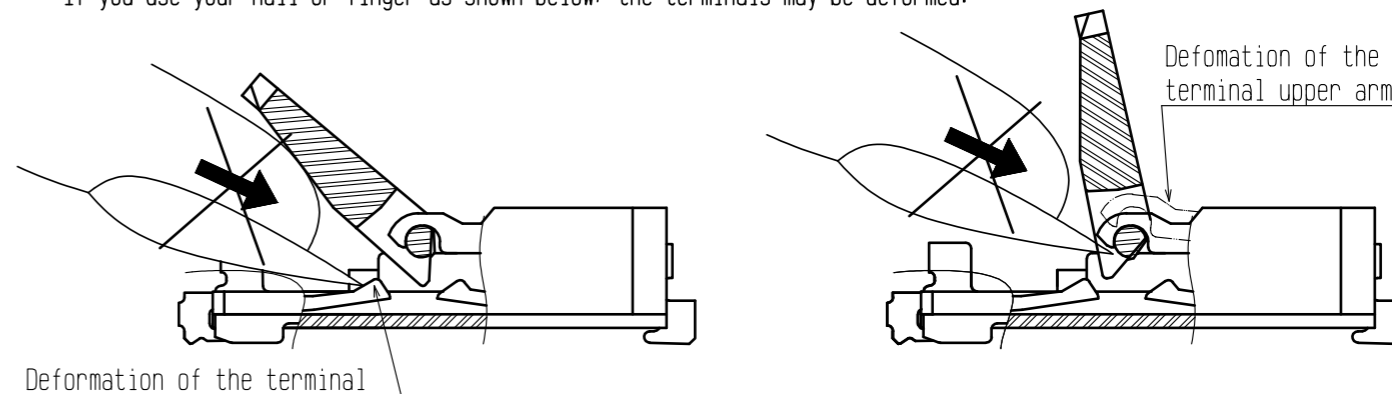
The warp of a 100mm wide board should be 0.5 mm or less.
 The warp of board suffers stress on connector and the connector may become defective.



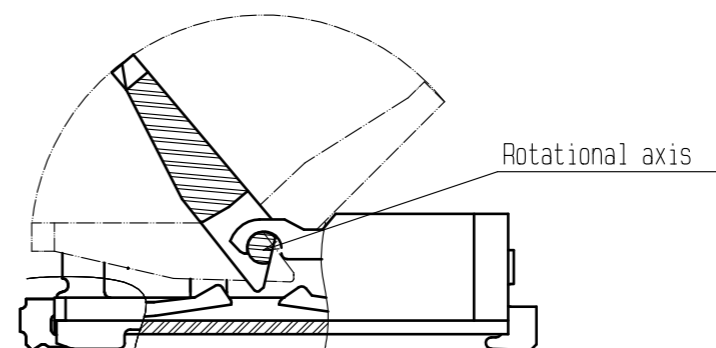
[INSTRUCTIONS ON INSERTING FPC AND CONNECTION]

◆ Use of the Actuator

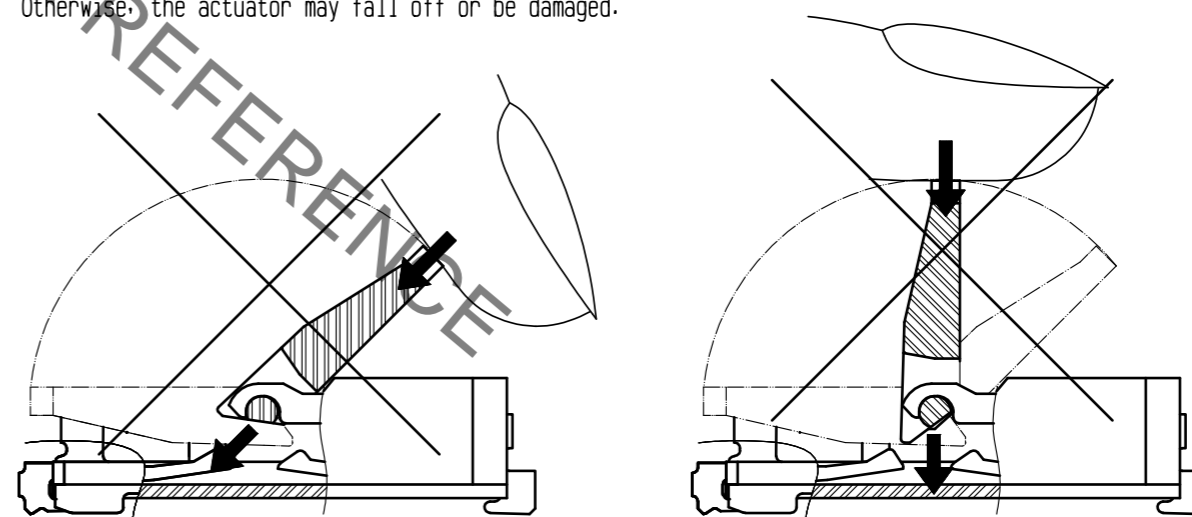
1. Be very careful not to apply excessive force when releasing the actuator in the initial position (with no FPC inserted).
 If you use your nail or finger as shown below, the terminals may be deformed.



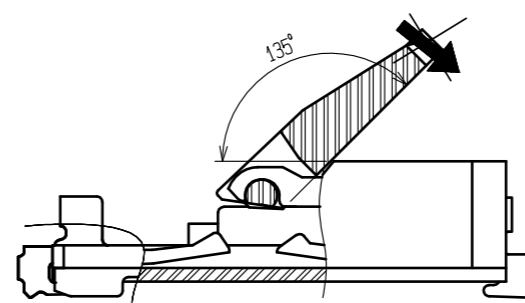
2. The actuator rotates around the rotational axis as shown below. Please rotate the actuator.



3. Please do not push downwards to the actuator with more than 0.5N force, as shown below. Otherwise, the actuator may fall off or be damaged.



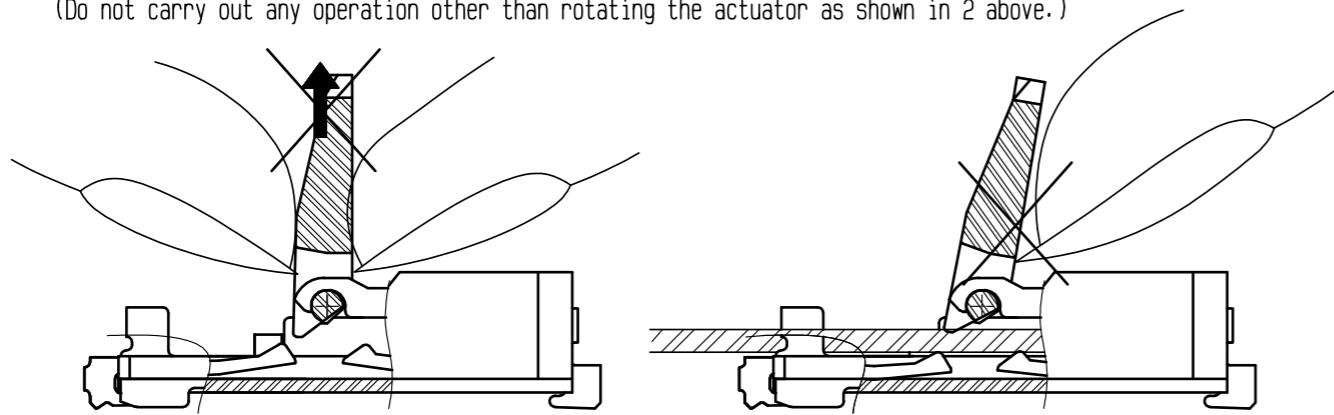
4. The actuator will not open more than 135°. Do not apply any force backward beyond this point. Otherwise, the actuator may come off or break.



HRS	DRAWING NO.	EDC3-355229-01
	PART NO.	FH29DJ-*S-0.2SHW<05>
	CODE NO.	CL580
		3/5/6

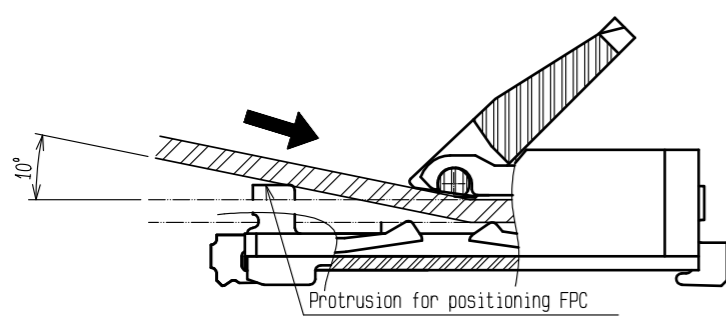
Dec.1.2020 Copyright 2020 HIROSE ELECTRIC CO., LTD. All Rights Reserved.
In case of consideration for using Automotive equipment / device which demand high reliability, kindly contact our sales window correspondents.

5. Move the actuator at approximately the center.
(It may break if operate the edge of the actuator with FPC inserted.)
6. Do not pinch or pick the actuator to lift it as shown below. Otherwise, it may break.
(Do not carry out any operation other than rotating the actuator as shown in 2 above.)

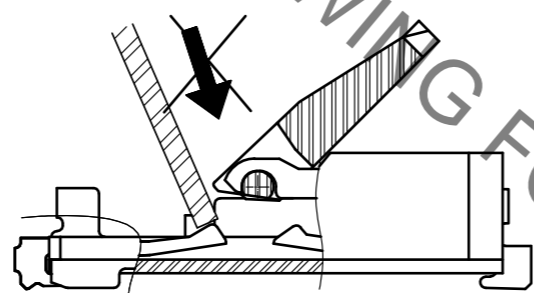


◆Direction of Contacts
This connector has contacts on the bottom. Thus, insert the FPC with the exposed conductors face down.

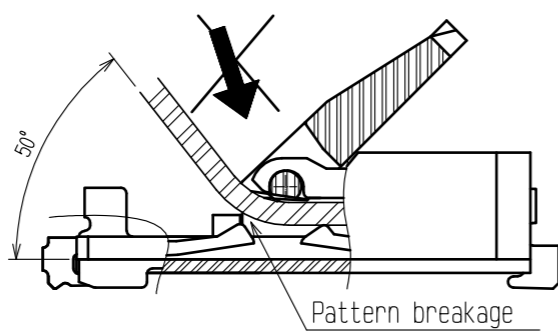
- ◆Inserting the FPC
1. Insert the FPC by about 10 degrees along the surface and at a right angle to the connector.
Insert it properly to the very end.
If the FPC is inserted at a slant (incorrectly),
the conductors may short-circuit due to pitch shift or the edge of the FPC may catch in the terminals,
resulting in deformation of the terminals.



2. Do not insert the FPC diagonally from above.
If the FPC is inserted at a slant (incorrectly) as shown below in the FPC insertion process,
the FPC may bend and patterns may break or the FPC may not insert completely,
resulting in improper conduction.



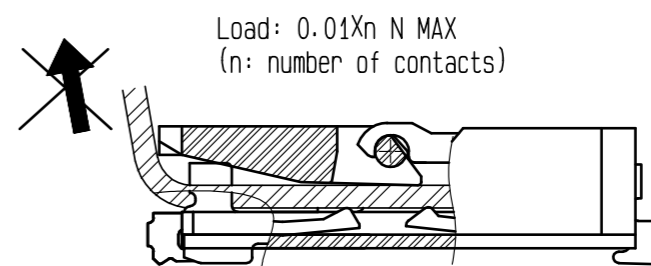
- ※Keep a sufficient FPC insertion space in the stage of the layout in order to avoid incorrect FPC insertion.
Besides, it is not difficult to insert FPC correctly all the way to the end.
Design the proper layout of parts.
- ※Make adjustments with the FPC manufacturer for FPC bending performance and wire breakage.



◆Checking the Locking Condition
In the locked condition, make sure that the actuator is horizontal on the board surface.
Do not apply excessive force to it near the 0° position of the actuator.
Otherwise, the terminals may be deformed. (Allowable force: 1 N or less)

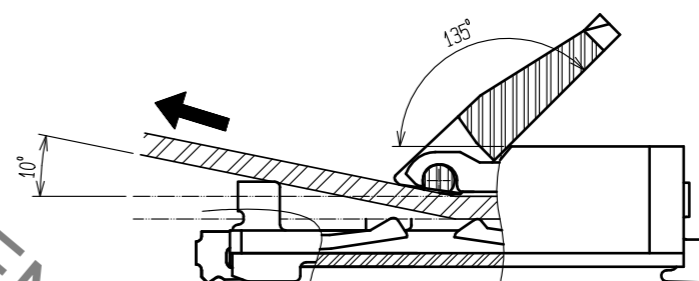
[INSTRUCTIONS ON FPC LAYOUT AFTER CONNECTION]

- ◆Load to FPC
Be very careful not to apply any force to the FPC after inserting it.
Otherwise, the connector may become unlocked or the FPC may break.
Fix the FPC, in particular, when loads are applied to it continuously.
Design the FPC layout with care not to bend it sharply near the insertion opening.



[INSTRUCTIONS ON REMOVING FPC]

- ◆Release the actuator at approximately the center.
(It may break if operate the edge of the actuator with FPC inserted.)
◆Release the actuator to remove the FPC.
Remove the FPC by about 10 degrees along the surface.



[OTHER INSTRUCTIONS]

- ◆Instructions on Manual Soldering
Follow the instructions shown below when soldering the connector manually during repair work, etc.
1. Do not perform reflow soldering or manual soldering with the FPC inserted into the connector.
2. Do not heat the connector excessively. Be very careful not to let the soldering iron contact any parts other than connector leads. Otherwise, the connector may be deformed or melt.
3. Do not use excessive solder (or flux).
If excessive solder (or flux) is used on the terminals, solder or flux may adhere to the contacts or rotating parts of the actuator, resulting in poor contact or a rotation failure of the actuator.

HRS	DRAWING NO.	EDC3-355229-01
	PART NO.	FH29DJ-*S-0.2SHW<05>
	CODE NO.	CL580
		3/6