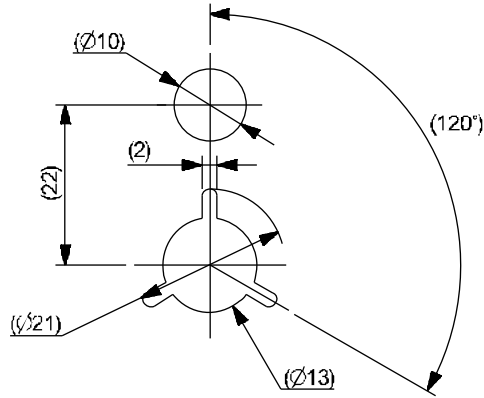
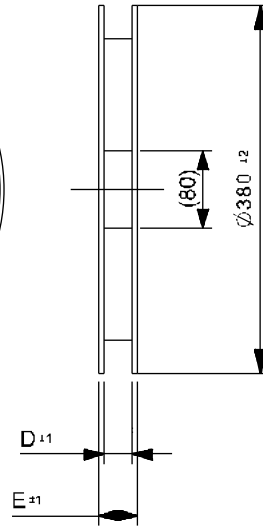
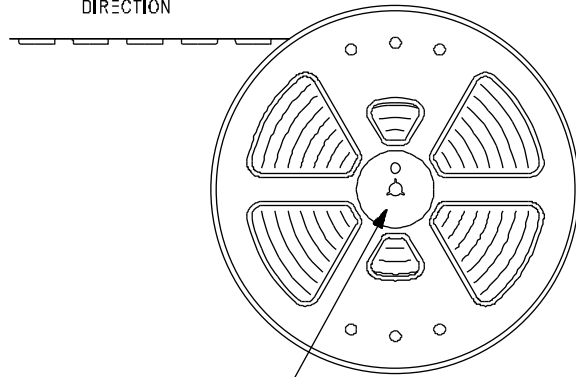


引き出し方向

PULL OUT
DIRECTION

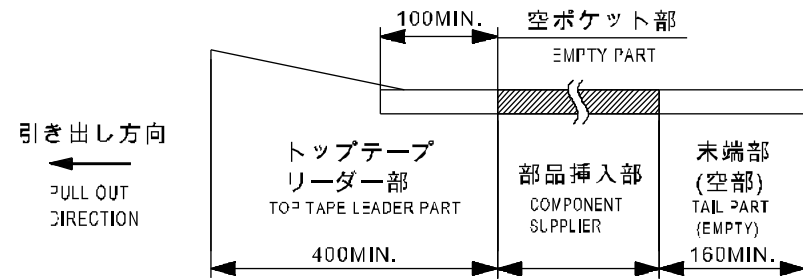


DETAIL "E"

NOTES

1. 梱包数量 : 3000個 / リール
NUMBER OF CONNECTORS : 3000 PCS/REEL.

2. リードテープ長さ
LEAD TAPE LENGTH



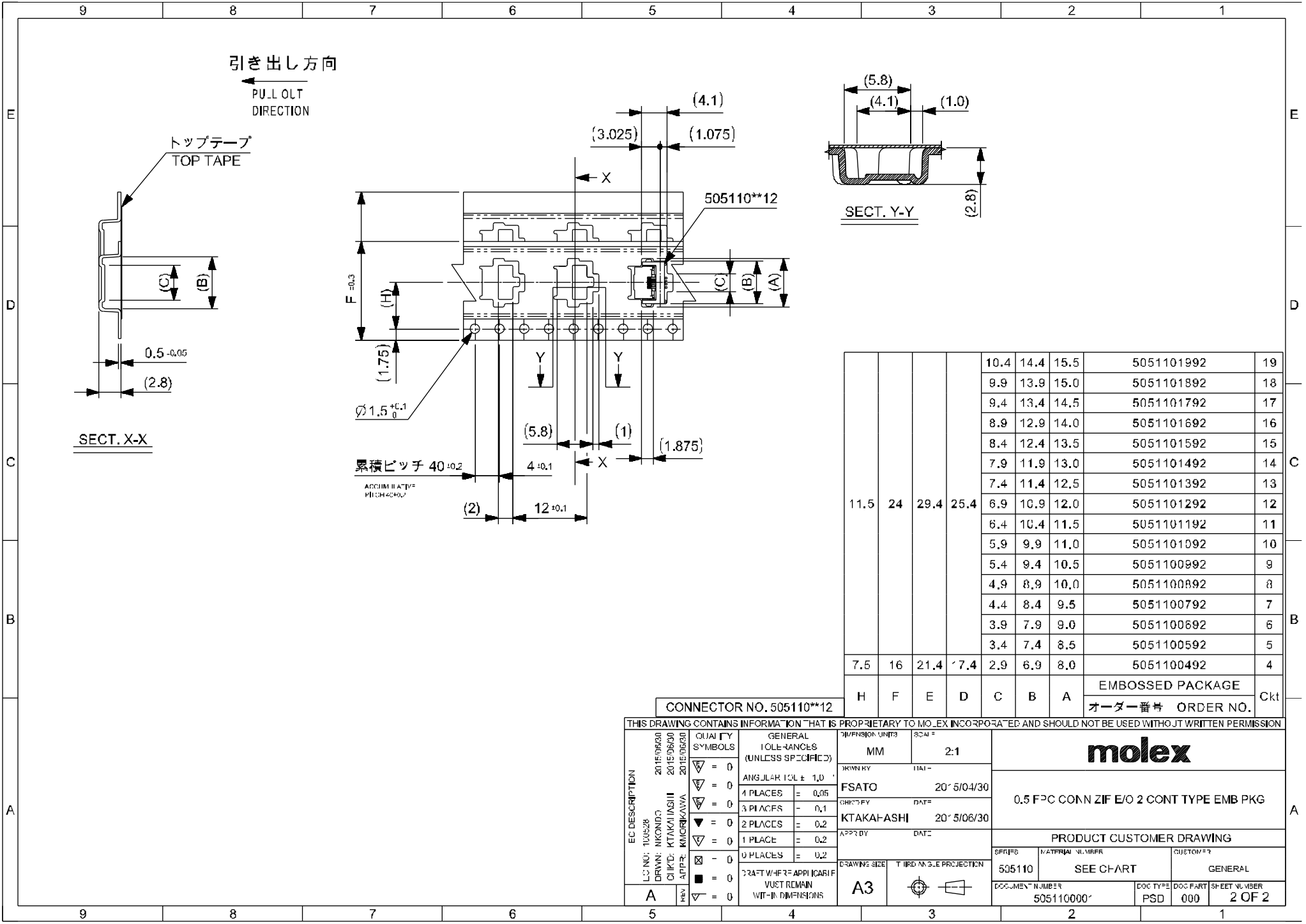
3. カバーテープの剥離強度については、IEC60286-3に準拠。
COVER TAPE PEEL FORCE IS DEFINED BY IEC 60286-3.

4. 製品詳細寸法については、図面 5051101001-000を参照下さい。
FOR DIMENSIONS OF PRODUCT, REFER TO 5051101001-000.

5. 材料 MATERIAL
キャリアテープ : ポリスチレン
CARRIER TAPE : POLYSTYRENE
トップテープ : ポリエチレンテレフタレート、ポリエチレン
TOP TAPE : POLYETHYLENE TEREPHTHALATE, POLYETHYLENE
リール : ポリスチレン <リサイクル材を含む>
REEL : POLYSTYRENE <RECYCLED MATERIAL CONTAINED>

6. ELV及びRoHS適合品 ELV AND RoHS COMPLIANT.

THIS DRAWING CONTAINS INFORMATION THAT IS PROPRIETARY TO MOLEX INCORPORATED AND SHOULD NOT BE USED WITHOUT WRITTEN PERMISSION											
EC DESCRIPTION LC NO: 100528 DRWN: NKONDO CHK'D: KTKAWASHI APPZ: KAIKIKAWA	QUALITY SYMBOLS	GENERAL TOLERANCES (UNLESS SPECIFIED)	DIMENSION UNITS	SCALE							
	▽ = 0	ANGULAR TOL ± 1.0°	MM	2:1							
	▽ = 0	4 PLACES = 0.05	FSATO	DATE	0.5 FPC CONN ZIF E/O 2 CONT TYPE EMB PKG						
	▽ = 0	3 PLACES = 0.1	KTAKAI-ASHI	20° 5/04/30							
▽ = 0	2 PLACES = 0.2	KTAKAI-ASHI	DATE	PRODUCT CUSTOMER DRAWING							
▽ = 0	1 PLACE = 0.2	APP'D BY	DATE								
□ = 0	0 PLACES = 0.2	DRAWING SIZE		THIRD ANGLE PROJECTION		SERIES	MATERIAL NUMBER	CUSTOMER			
■ = 0	3 PART WHEN APPLICABLE	A3				505110	SEE SHEET 2	GENERAL			
▽ = 0	VUEZ REMAIN WITH DIMENSIONS					DOCUMENT NUMBER	DOC TYPE	DOC PART	SHEET NUMBER		
A						505110000°	PSD	000	1 OF 2		



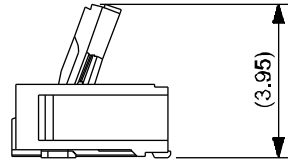
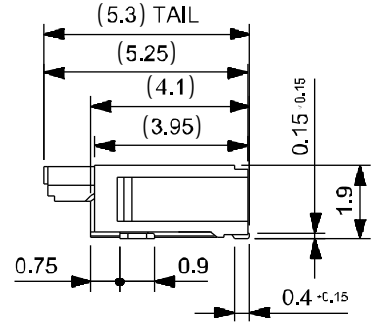
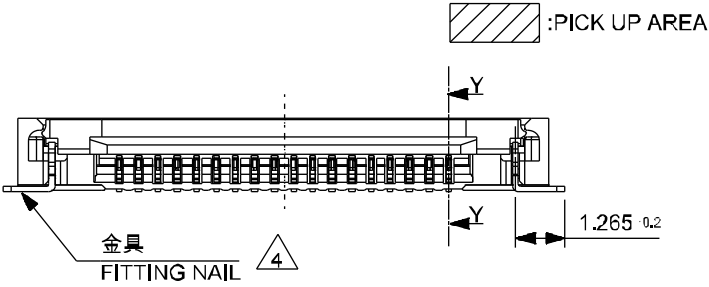
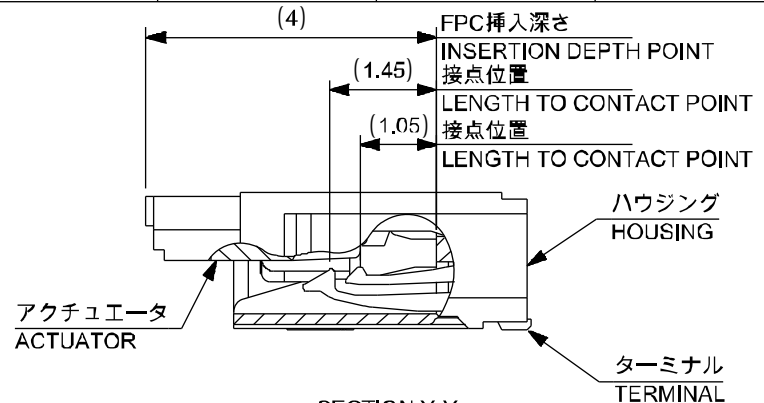
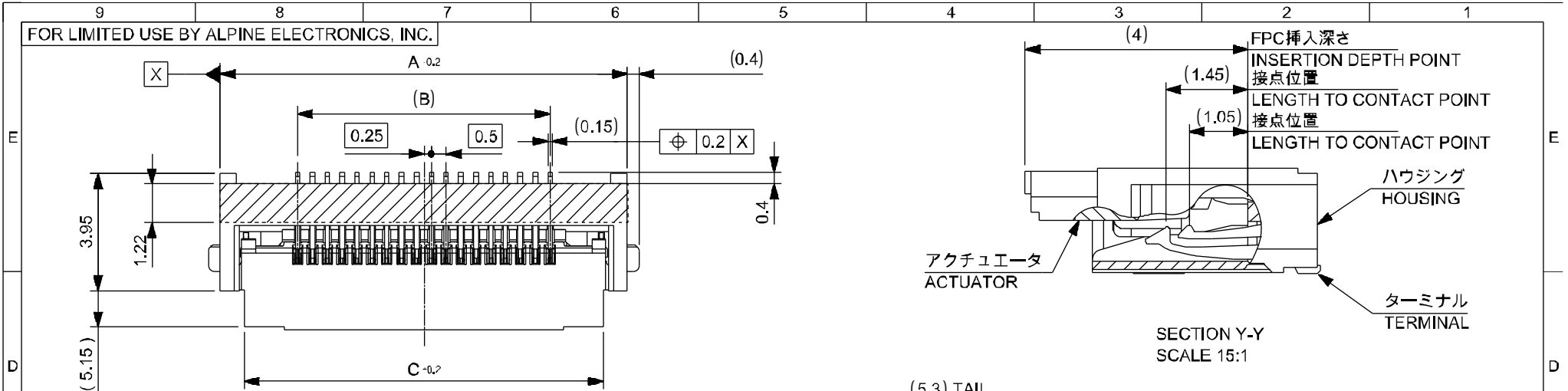
11.5	24	29.4	25.4	10.4	14.4	15.5	5051101992	19
				9.9	13.9	15.0	5051101892	18
				9.4	13.4	14.5	5051101792	17
				8.9	12.9	14.0	5051101692	16
				8.4	12.4	13.5	5051101592	15
				7.9	11.9	13.0	5051101492	14
				7.4	11.4	12.5	5051101392	13
				6.9	10.9	12.0	5051101292	12
				6.4	10.4	11.5	5051101192	11
				5.9	9.9	11.0	5051101092	10
				5.4	9.4	10.5	5051100992	9
				4.9	8.9	10.0	5051100892	8
				4.4	8.4	9.5	5051100792	7
				3.9	7.9	9.0	5051100692	6
3.4	7.4	8.5	5051100592	5				
7.5	16	21.4	17.4	2.9	6.9	8.0	5051100492	4
H	F	E	D	C	B	A	EMBOSSED PACKAGE	
							オーダー番号 ORDER NO.	

CONNECTOR NO. 505110**12

THIS DRAWING CONTAINS INFORMATION THAT IS PROPRIETARY TO MOLEX INCORPORATED AND SHOULD NOT BE USED WITHOUT WRITTEN PERMISSION

EC DESCRIPTION LC NO: 100528 DRWN: NKONDO CIPD: KTKAKIASHI APPR: KUCIKAWA	QUALITY SYMBOLS	GENERAL TOLERANCES (UNLESS SPECIFIED)	DIMENSION UNITS	SCALE	
	▽ = 0	ANGULAR ISL ± 1.0	MM	2:1	
	▽ = 0	4 PLACES = 0.05	DRWN BY	DATE	
	▽ = 0	3 PLACES = 0.1	FSATO	20° 5/04/30	
▽ = 0	2 PLACES = 0.2	DR COPY	DATE	0.5 FPC CONN ZIF E/O 2 CONT TYPE EMB PKG	
▽ = 0	1 PLACE = 0.2	APP BY	DATE	PRODUCT CUSTOMER DRAWING	
□ = 0	0 PLACES = 0.2	DRAWING SIZE: TYPED AS IS PROJECTION		SERIES MATERIAL NUMBER CUSTOMER	
■ = 0	3 PART WHERE APPLICABLE MUST REMAIN WITHIN DIMENSIONS	A3		505110 SEE CHART GENERAL	
▽ = 0				DOCUMENT NUMBER SHEET NUMBER	
				505110000 PSD 000 2 OF 2	

FOR LIMITED USE BY ALPINE ELECTRONICS, INC.



12.6	9.0	14.2	5051101992	19
12.1	8.5	13.7	5051101892	18
11.6	8.0	13.2	5051101792	17
11.1	7.5	12.7	5051101692	16
10.6	7.0	12.2	5051101592	15
10.1	6.5	11.7	5051101492	14
9.6	6.0	11.2	5051101392	13
9.1	5.5	10.7	5051101292	12
8.6	5.0	10.2	5051101192	11
8.1	4.5	9.7	5051101092	10
7.6	4.0	9.2	5051100992	9
7.1	3.5	8.7	5051100892	8
6.6	3.0	8.2	5051100792	7
6.1	2.5	7.7	5051100692	6
5.6	2.0	7.2	5051100592	5
5.1	1.5	6.7	5051100492	4
C	B	A	EMBOSSED PACKAGE	Ckt
			オーダー番号 ORDER NO.	

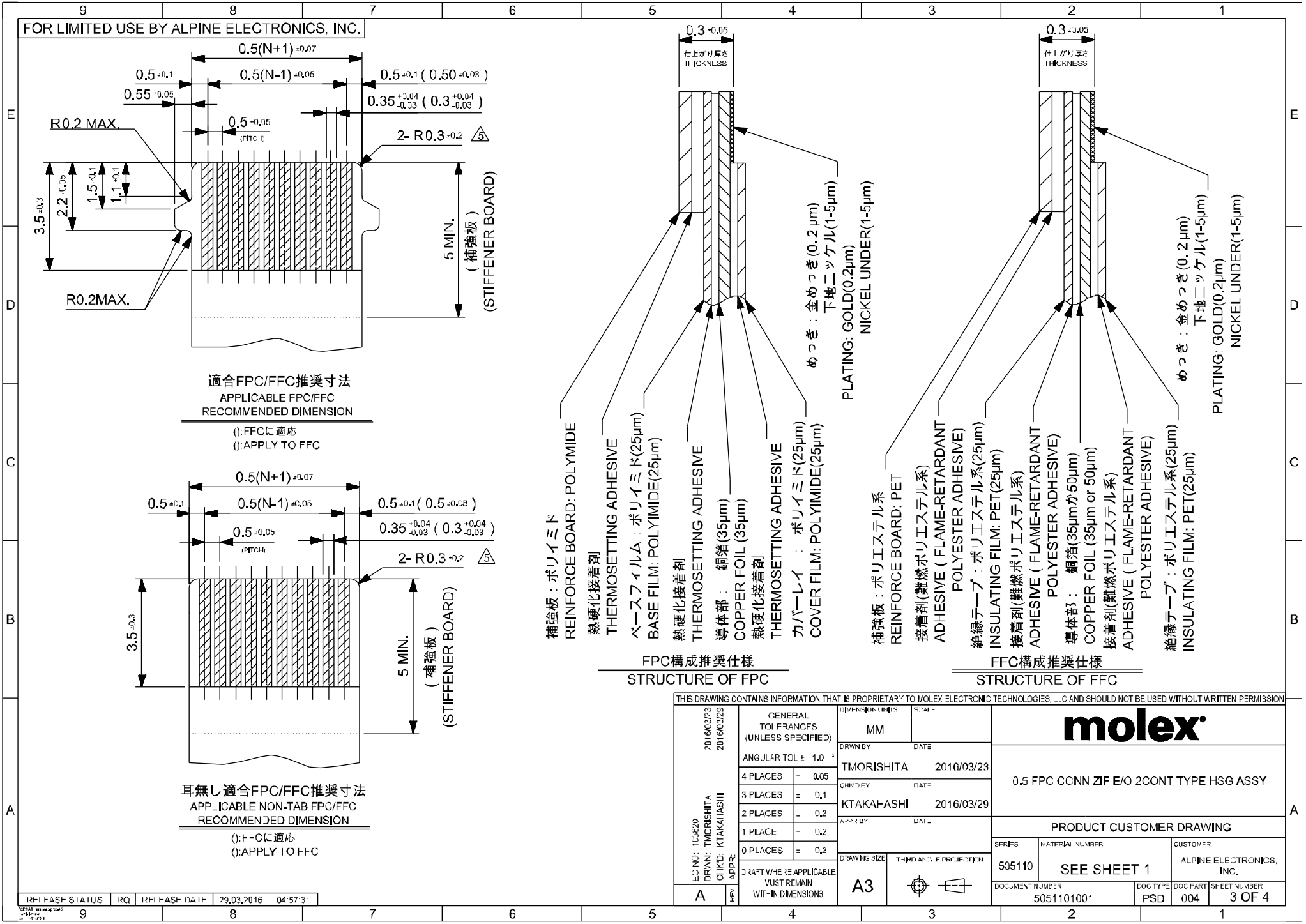
CONNECTOR SERIES NO. 505110**12

THIS DRAWING CONTAINS INFORMATION THAT IS PROPRIETARY TO MOLEX ELECTRONIC TECHNOLOGIES, S.C. AND SHOULD NOT BE USED WITHOUT WRITTEN PERMISSION

EC NO: 106820 DRAWN: TMORISHITA CHK'D: KTAKAASHI APP'R:	GENERAL TOI FRANCFS (UNLESS SPECIFIED) ANGLE TOL ± 1.0° 4 PLACES = 0.05 3 PLACES = 0.1 2 PLACES = 0.2 1 PLACE = 0.2 0 PLACES = 0.2	DIMENSION UNITS: MM SCALE: 8:1 DRAWN BY: TMORISHITA DATE: 2016/03/23 CHECKED BY: KTAKAASHI DATE: 2016/03/29	molex 0.5 FPC CONN ZIF E/O 2CONT TYPE HSG ASSY	
	PRODUCT CUSTOMER DRAWING			
	3 PARTS ARE APPLICABLE MUST REMAIN WITHIN DIMENSIONS		DRAWING SIZE: A3 THIRD ANGLE PROJECTION	SERIALS: 505110 MATERIAL NUMBER: SEE CHART CUSTOMER: ALPINE ELECTRONICS, INC.
			DOCUMENT NUMBER: 505110100	DOC TYPE: PSD DOC PART: 004 SHEET NUMBER: 1 OF 4

19極以下
19cct or less

REV: 1 2016/03/23 04:57:31



FOR LIMITED USE BY ALPINE ELECTRONICS, INC.

適合FPC/FFC推奨寸法
APPLICABLE FPC/FFC
RECOMMENDED DIMENSION

(): FFCに適合
(): APPLY TO FFC

耳無し適合FPC/FFC推奨寸法
APPLICABLE NON-TAB FPC/FFC
RECOMMENDED DIMENSION

(): F-Cに適合
(): APPLY TO F-C

- 補強板: ポリイミド
REINFORCE BOARD: POLYIMIDE
- 熱硬化接着剤
THERMOSETTING ADHESIVE
- ベースフィルム: ポリイミド(25 μ m)
BASE FILM: POLYIMIDE(25 μ m)
- 熱硬化接着剤
THERMOSETTING ADHESIVE
- 導体部: 銅箔(35 μ m)
COPPER FOIL (35 μ m)
- 熱硬化接着剤
THERMOSETTING ADHESIVE
- カバーレイ: ポリイミド(25 μ m)
COVER FILM: POLYIMIDE(25 μ m)

FPC構成推奨仕様
STRUCTURE OF FPC

- 補強板: ポリエステル系
REINFORCE BOARD: PET
- 接着剤(難燃ポリエステル系)
ADHESIVE (FLAME-RETARDANT
POLYESTER ADHESIVE)
- 絶縁テープ: ポリエステル系(25 μ m)
INSULATING FILM: PET(25 μ m)
- 接着剤(難燃ポリエステル系)
ADHESIVE (FLAME-RETARDANT
POLYESTER ADHESIVE)
- 導体部: 銅箔(35 μ m or 50 μ m)
COPPER FOIL (35 μ m or 50 μ m)
- 接着剤(難燃ポリエステル系)
ADHESIVE (FLAME-RETARDANT
POLYESTER ADHESIVE)
- 絶縁テープ: ポリエステル系(25 μ m)
INSULATING FILM: PET(25 μ m)

FFC構成推奨仕様
STRUCTURE OF FFC

THIS DRAWING CONTAINS INFORMATION THAT IS PROPRIETARY TO MOLEX ELECTRONIC TECHNOLOGIES, INC. AND SHOULD NOT BE USED WITHOUT WRITTEN PERMISSION	
EC NO: 103620 DRAWN: TMORISHITA CHECKED: KTAKAASHI APPR:	GENERAL TOI FRANCIS (UNLESS SPECIFIED) DIMENSION UNITS: MM SCALE: - DRAWN BY: TMORISHITA DATE: 2016/03/23 CHECKED BY: KTAKAASHI DATE: 2016/03/29 DRAWING SIZE: A3 TYPED AND PLOTTED BY:
2016/03/23 2016/03/29	ANGULAR TOL $\pm 1.0^\circ$ 4 PLACES = 0.05 3 PLACES = 0.1 2 PLACES = 0.2 1 PLACE = 0.2 0 PLACES = 0.2
PRODUCT CUSTOMER DRAWING 0.5 FPC CCNN ZIF E/O 2CONT TYPE HSG ASSY	
SERIALS: 505110 MATERIAL NUMBER: 505110100	CUSTOMER: ALPINE ELECTRONICS, INC. SEE SHEET 1 SHEET NUMBER: 3 OF 4
DOCUMENT NUMBER: 505110100 DOC TYPE: PSD DOC PART: 004 SHEET NUMBER: 3 OF 4	

FOR LIMITED USE BY ALPINE ELECTRONICS, INC.

注記 NOTES

1.使用材料 MATERIAL
 ハウジング :液晶ポリマー ガラス充填、UL94V-0(ベージュ)
 HOUSING : LIQUID CRYSTAL POLYMER GLASS FILLED, UL94V-0(BEIGE)
 アクチュエータ :ポリアミド ガラス充填、UL94V-0(黒)
 ACTUATOR : POLYAMIDE GLASS FILLED, UL94V-0(BLACK)
 ターミナル :リン青銅(t=0.15)
 TERMINAL : PHOSPHOR BRONZE
 金具 :リン青銅(t=0.15)
 FITTING NAIL : PHOSPHOR BRONZE

2.めっき仕様 PLATING
 ターミナル TERMINAL
 コンタクト部 : 部分金めっき (0.05μm以上)
 テール部 : 部分金めっき
 下地 : ニッケルめっき (1.0μm以上)
 CONTACT AREA : SEPARATED GOLD PLATING (0.05 MICROMETER MINIMUM)
 SOLDER TAIL AREA : SEPARATED GOLD PLATING
 UNDERPLATE : NICKEL OVERALL (1.0 MICROMETER MINIMUM)
 金具 FITTING NAIL
 錫めっき (1.0μm以上)
 下地 : ニッケルめっき (1.0μm以上)
 TIN PLATING (1.0 MICROMETER MIN.)
 UNDER PLATING : NICKEL PLATING (1.0 MICROMETER MIN.)

3.エンボステープ梱包時は、アクチュエータが閉じた状態とする。
 IN THE PACKAGE, ACTUATOR OF PART SHOULD BE CLOSED.

4. パターン剥離止め用金具
 FITTING NAIL FOR PREVENTION OF PEELING OF P.C.B. PATTERN.

5. R0.3はFPC/FFC導体部にかからないこと。
 R0.3 MUST NOT BE OVERLAPPED TO PATTERN OF FPC/FFC.

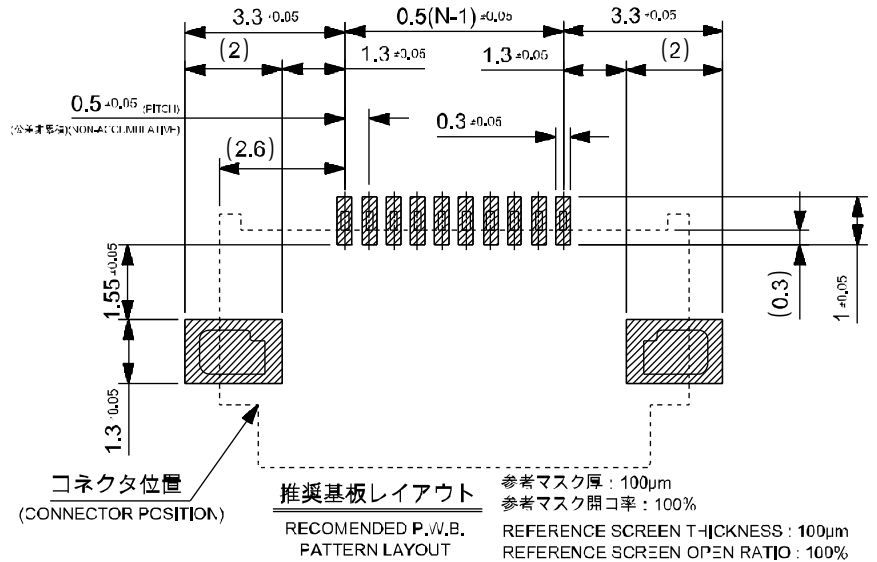
6.N:極数 N:CIRCUIT.

7.ELV及びRoHS適合品
 ELV AND RoHS COMPLIANT

8.テールと金具を併せた平坦度は0.1以下とする。
 TAILS AND NAILS COPLANALITY TO BE 0.1 MAX.

FPC/FFCについて ABOUT FPC/FFC

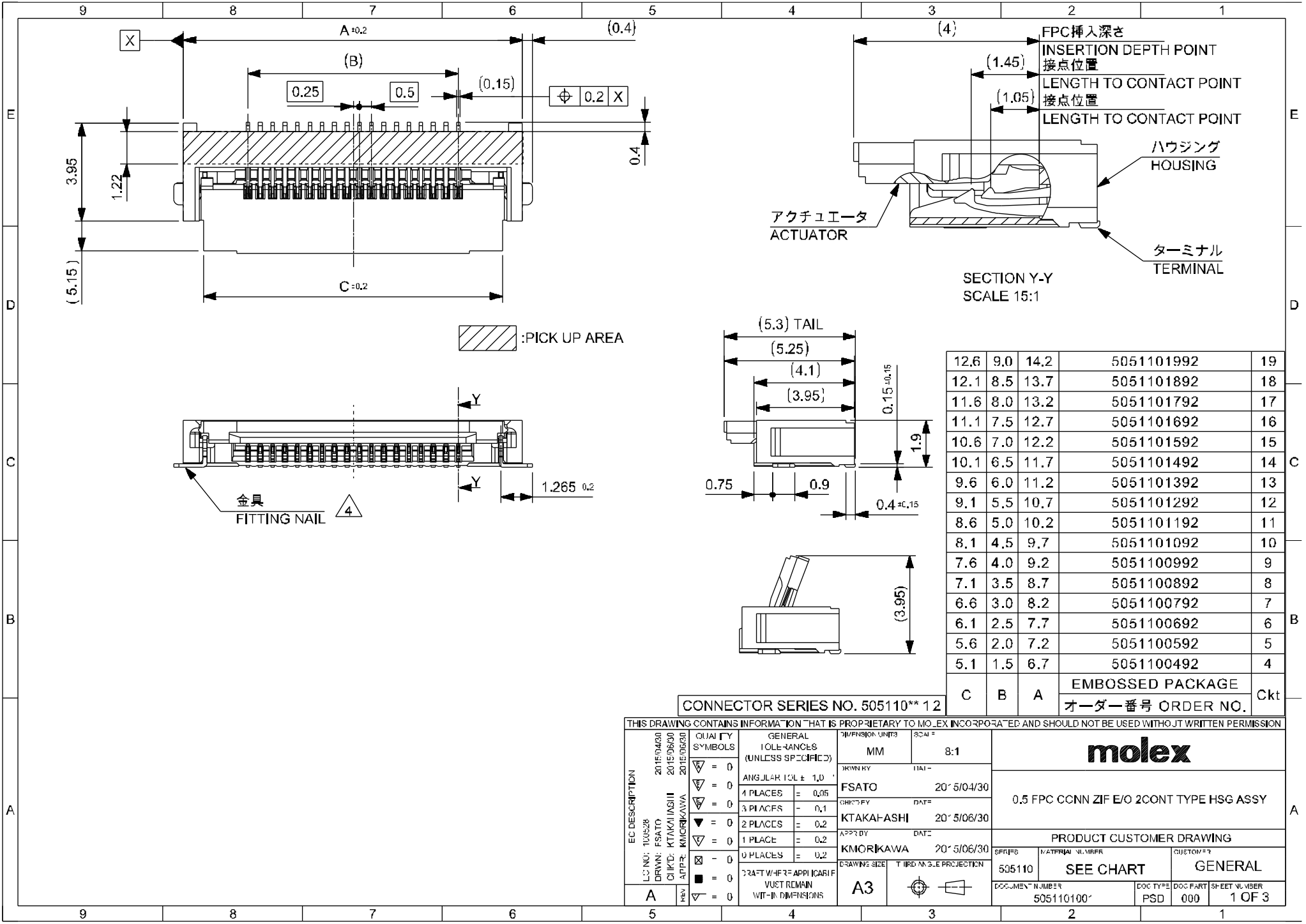
打ち抜き方向は導体側から補強板側を推奨します。
 導体部については軟箔銅35μmまたは50μmを推奨します。
 FPCに規定された定格温度がFFC単体前提である場合が御座います。
 コネクタと組み合わせての実使用において、接合層が劣化するなどの信頼性を満足できないケースを回避するため、実機での評価/確認をお願いいたします。
 RECOMMENDED PUNCHING DIRECTION : FROM CONDUCTOR SIDE TO STIFFENER SIDE
 RECOMMENDED CONDUCTOR SPEC : SOFT COPPER FOIL
 RECOMMENDED CONDUCTOR THICKNESS : 35 MICROMETER OR 50 MICROMETER
 NOTE: WHEN ACTUALLY USING IT WITH CONNECTOR, PLEASE DO THE EVALUATION AND THE CONFIRMATION WITH AN ACTUAL EQUIPMENT TO AVOID THE CASE WHERE RELIABILITY CANNOT BE MAINTAINED (THE ADHESIVE LINE OF FFC IS DETERIORATED ETC.)



FPCについて ABOUT FPC

補強フィルム材質はポリイミドを推奨します。ベースフィルムは25μmを推奨します。
 接着剤は熱硬化接着剤を推奨します。
 尚、接着剤の接点部への付着は導通不良の原因になりますので、染み出しが無い様お願い致します。
 RECOMMENDED MATERIAL/THICKNESS:
 RECOMMENDED STIFFENER MATERIAL: POLYIMIDE
 RECOMMENDED BASE FILM THICKNESS: 25 MICROMETER
 RECOMMENDED ADHESIVE: THERMOSETTING ADHESIVE
 NOTE: PLEASE PUT APPROPRIATE AMOUNT OF ADHESIVE ON ADHEREND BECAUSE THERE IS A POSSIBILITY THAT THE EXTRA ADHESIVE CAUSES THE DEFECT IN ELECTRICAL CONTINUITY.
 THERE IS A POSSIBILITY THAT THE PRESCRIPT TEMPERATURE OF FFC IS SET TO SINGLE IT.

THIS DRAWING CONTAINS INFORMATION THAT IS PROPRIETARY TO MOLEX ELECTRONIC TECHNOLOGIES, INC AND SHOULD NOT BE USED WITHOUT WRITTEN PERMISSION	
EC NO: 10620 DRAWN: TMCRISHITA CHECKED: KTAKASHI APPR:	GENERAL TOI FRANCS (UNLESS SPECIFIED) DIMENSION UNITS: MM SCALE: 10:1 DRAWN BY: DATE: 2016/03/23 CHECKED BY: DATE: 2016/03/29 DRAWING SIZE: A3 TYPING AND FINISHING:
4 PLACES = 0.05 3 PLACES = 0.1 2 PLACES = 0.2 1 PLACE = 0.2 0 PLACES = 0.2	PRODUCT CUSTOMER DRAWING 0.5 FPC CONN ZIF E/O 2CONT TYPE HSG ASSY SERIALS: 505110 MATERIAL NUMBER: SEE SHEET 1 CUSTOMER: ALPINE ELECTRONICS, INC. DOCUMENT NUMBER: 505110100 DOC TYPE: PSD DOC PART: 004 SHEET NUMBER: 4 OF 4
3 PART WHERE APPLICABLE MUST REMAIN WITHIN DIMENSIONS	PARTIAL VIEW SYMBOL



12.6	9.0	14.2	5051101992	19
12.1	8.5	13.7	5051101892	18
11.6	8.0	13.2	5051101792	17
11.1	7.5	12.7	5051101692	16
10.6	7.0	12.2	5051101592	15
10.1	6.5	11.7	5051101492	14
9.6	6.0	11.2	5051101392	13
9.1	5.5	10.7	5051101292	12
8.6	5.0	10.2	5051101192	11
8.1	4.5	9.7	5051101092	10
7.6	4.0	9.2	5051100992	9
7.1	3.5	8.7	5051100892	8
6.6	3.0	8.2	5051100792	7
6.1	2.5	7.7	5051100692	6
5.6	2.0	7.2	5051100592	5
5.1	1.5	6.7	5051100492	4

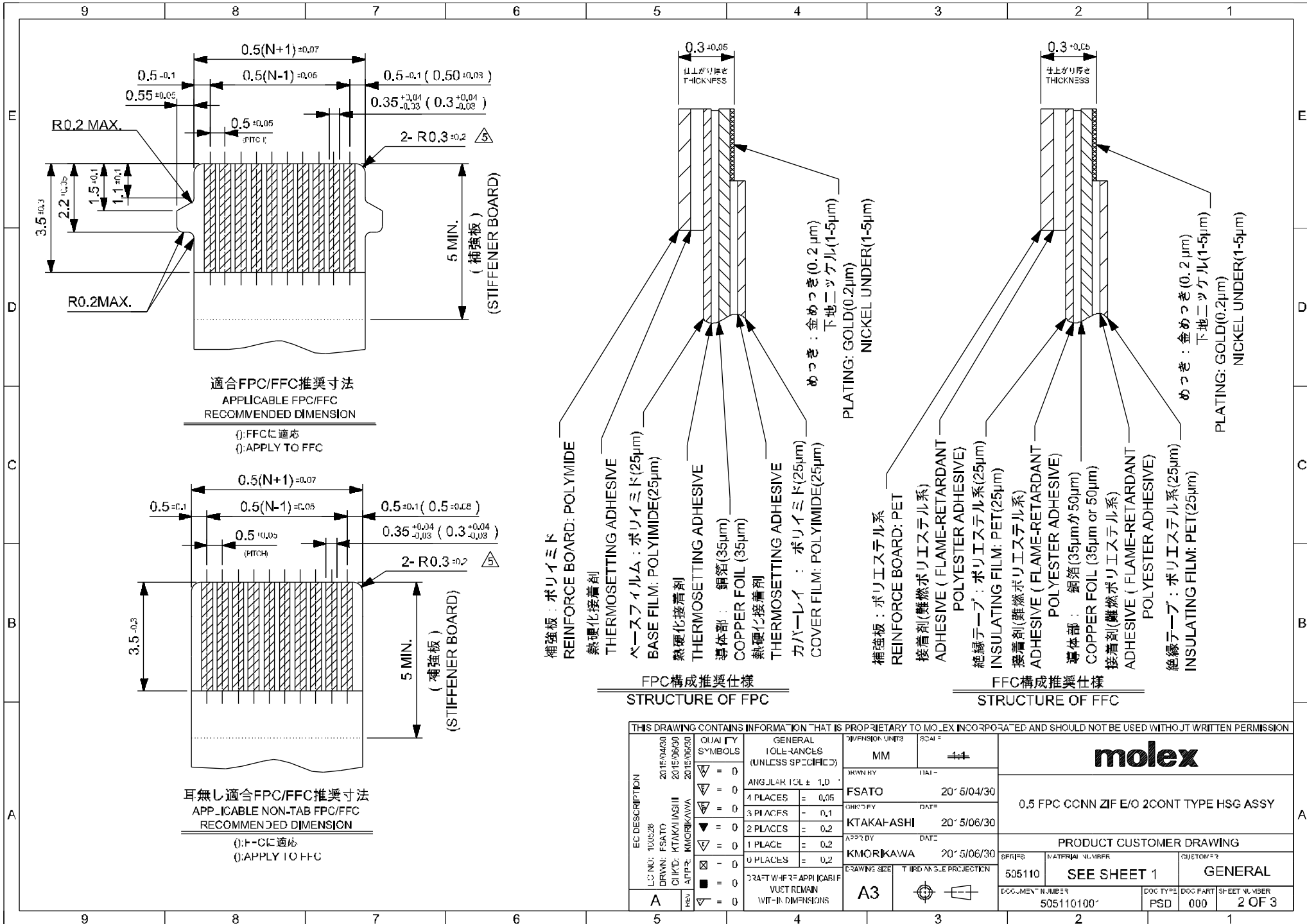
CONNECTOR SERIES NO. 505110** 12

C	B	A	EMBOSSD PACKAGE	Ckt
			オーダー番号 ORDER NO.	

THIS DRAWING CONTAINS INFORMATION THAT IS PROPRIETARY TO MOLEX INCORPORATED AND SHOULD NOT BE USED WITHOUT WRITTEN PERMISSION

EC DESCRIPTION LC NO: 100528 DRWN: FSATO CIP: KTAKAASHI APPR: KAMORIKAWA	QUALITY SYMBOLS	GENERAL TOLERANCES (UNLESS SPECIFIC)	DIMENSION UNITS	SCALE	
	▽ = 0	ANGULAR ISL ± 1.0	MM	8:1	
	▽ = 0	4 PLACES = 0.05	FSATO	DATE: 20* 5/04/30	
	▽ = 0	3 PLACES = 0.1	KTAKAASHI	DATE: 20* 5/06/30	
▽ = 0	2 PLACES = 0.2	1 PLACE = 0.2	0 PLACES = 0.2	APPBY: KAMORIKAWA	DATE: 20* 5/06/30
□ = 0	3 PART WHEN APPLICABLE	3 PART WHEN APPLICABLE	3 PART WHEN APPLICABLE	3 PART WHEN APPLICABLE	3 PART WHEN APPLICABLE
■ = 0	VUET REMAIN WITHIN DIMENSIONS	VUET REMAIN WITHIN DIMENSIONS	VUET REMAIN WITHIN DIMENSIONS	VUET REMAIN WITHIN DIMENSIONS	VUET REMAIN WITHIN DIMENSIONS
▽ = 0					

SERIES	MATERIAL NUMBER	CUSTOMER #
505110		
SEE CHART		GENERAL
DOCUMENT NUMBER	DOC TYPE	DOC PART
505110100*	PSD	000
SHEET NUMBER		1 OF 3



適合FPC/FFC推奨寸法
APPLICABLE FPC/FFC
RECOMMENDED DIMENSION

(): FFCに適合
(): APPLY TO FFC

耳無し適合FPC/FFC推奨寸法
APPLICABLE NON-TAB FPC/FFC
RECOMMENDED DIMENSION

(): F-Cに適合
(): APPLY TO F-C

- 補強板: ポリイミド
REINFORCE BOARD: POLYIMIDE
- 熱硬化接着剤
THERMOSETTING ADHESIVE
- ベースフィルム: ポリイミド(25μm)
BASE FILM: POLYIMIDE(25μm)
- 熱硬化接着剤
THERMOSETTING ADHESIVE
- 導体部: 銅箔(35μm)
CONDUCTOR: COPPER FOIL (35μm)
- 熱硬化接着剤
THERMOSETTING ADHESIVE
- カバーレイ: ポリイミド(25μm)
COVER FILM: POLYIMIDE(25μm)

FPC構成推奨仕様
STRUCTURE OF FPC

- 補強板: ポリエステル系
REINFORCE BOARD: PET
- 接着剤(難燃ポリエステル系)
ADHESIVE (FLAME-RETARDANT
POLYESTER ADHESIVE)
- 絶縁テープ: ポリエステル系(25μm)
INSULATING FILM: PET(25μm)
- 接着剤(難燃ポリエステル系)
ADHESIVE (FLAME-RETARDANT
POLYESTER ADHESIVE)
- 導体部: 銅箔(35μmか50μm)
CONDUCTOR: COPPER FOIL (35μm or 50μm)
- 接着剤(難燃ポリエステル系)
ADHESIVE (FLAME-RETARDANT
POLYESTER ADHESIVE)
- 絶縁テープ: ポリエステル系(25μm)
INSULATING FILM: PET(25μm)

FFC構成推奨仕様
STRUCTURE OF FFC

THIS DRAWING CONTAINS INFORMATION THAT IS PROPRIETARY TO MOLEX INCORPORATED AND SHOULD NOT BE USED WITHOUT WRITTEN PERMISSION											
EC DESCRIPTION	QUALITY SYMBOLS	GENERAL TOLERANCES (UNLESS SPECIFIED)		DIMENSION UNITS		SCALE					
		MM		MM	FRAC						
LC NO: 100528	2015/04/30	ANGULAR ISL ± 1.0°	MM	FRAC	1:1	0.5 FPC CONN ZIF E/O 2CONT TYPE HSG ASSY					
DRWN: FSATO	2015/06/30	4 PLACES = 0.05	MM	FRAC	1:1						
CHK'D: KTKAKIASHI	2015/06/30	3 PLACES = 0.1	MM	FRAC	1:1	PRODUCT CUSTOMER DRAWING					
APPR: KMORIKAWA	2015/06/30	2 PLACES = 0.2	MM	FRAC	1:1						
REV		1 PLACE = 0.2	MM	FRAC	1:1	SERIES MATERIAL NUMBER CUSTOMER					
A		0 PLACES = 0.2	MM	FRAC	1:1						
DRAWING SIZE: THIRD ANGLE PROJECTION		DRAWING NUMBER: 505110100		DOC TYPE: PSD		DOC PART: 000		SHEET NUMBER: 2 OF 3			

注記 NOTES

1.使用材料 MATERIAL
 ハウジング : 液晶ポリマー ガラス充填、UL94V-0(バージュ)
 HOUSING : LIQUID CRYSTAL POLYMER GLASS FILLED, UL94V-0(BEIJING)
 アクチュエータ : ポリアミド ガラス充填、UL94V-0(黒)
 ACTUATOR : POIYAMIDE GLASS FILLED, UL94V-0(BLACK)
 ターミナル : リン青銅(t=0.15)
 TERMINAL : PHOSPHOR BRONZE
 金具 : リン青銅(t=0.15)
 FITTING NAIL : PHOSPHOR BRONZE

2.めっき仕様 PLATING
 ターミナル TERMINAL
 コンタクト部 : 部分金めっき (0.05μm以上)
 テール部 : 部分金めっき
 下地 : ニッケルめっき (1.0μm以上)
 CONTACT AREA : SEPARATED GOLD PLATING (0.05 MICROMETER MINIMUM)
 SOLDER TAIL AREA : SEPARATED GOLD PLATING
 UNDERPLATE : NICKEL OVERALL (1.0 MICROMETER MINIMUM)
 金具 FITTING NAIL
 鍍めつき(1.0μm以上)
 下地 : ニッケルめっき (1.0μm以上)
 TIN PLATING (1.0 MICROMETER MIN.)
 UNDER PLATING : NICKEL PLATING (1.0 MICROMETER MIN.)

3.エンボステープ梱包時は、アクチュエータが閉じた状態とする。
 IN THE PACKAGE, ACTUATOR OF PART SHOULD BE CLOSED.

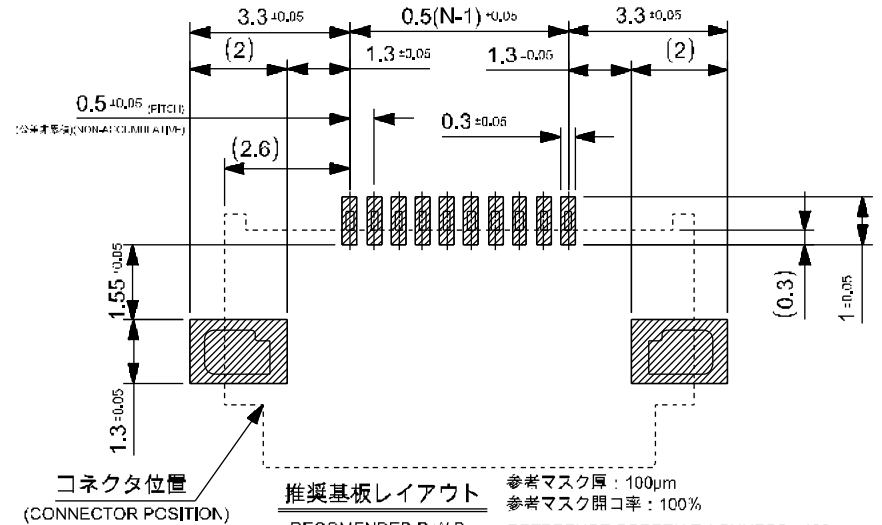
△ パターン剥離止め用金具
 FITTING NAIL FOR PREVENTION OF PEELING OF P.C.B. PATTERN.

△ R0.3はFPC/FFC導体部にかからないこと。
 R0.3 MUST NOT BE OVERLAPPED TO PATTERN OF FPC/FFC.

6.N:極数 N:CIRCUIT.

7.ELV及びRoHS適合品
 ELV AND RoHS COMPLIANT

8.テールと金具を併せた平坦度は0.1以下とする。
 TAILS AND NAILS COPLANALITY TO BE 0.1 MAX.



FPC/FFCについて ABOUT FPC/FFC

打ち抜き方向は導体側から補強板側を推奨します。
 導体部については破箔網35μmまたは50μmを推奨します。
 FFCに規定された定格温度がFFC単体前提である場合が御座います。
 コネクタと組み合わせての実使用において、接着層が劣化するなどの信頼性を満足できないケースを回避するため、実機での評価/確認をお願いいたします。
 RECOMMENDED PUNCHING DIRECTION : FROM CONDUCTOR SIDE TO STIFFENER SIDE
 RECOMMENDED CONDUCTOR SPEC : SOFT COPPER FOIL
 RECOMMENDED CONDUCTOR THICKNESS : 35 MICROMETER OR 50 MICROMETER
 NOTE: WHEN ACTUALLY USING IT WITH CONNECTOR, PLEASE DO THE EVALUATION AND THE CONFIRMATION WITH AN ACTUAL EQUIPMENT TO EVADE THE CASE WHERE RELIABILITY CANNOT BE FILLED (THE ADHESIVE LINE OF FFC IS DETERIORATED ETC.)

FPCについて ABOUT FPC

補強フィルム材質はポリアミドを推奨します。ベースフィルムは25μmを推奨します。
 接着剤は熱硬化接着剤を推奨します。
 尚、接着剤の接点部への付着は導通不良の原因になりますので、染み出しが無い様お願い致します。
 RECOMMENDED MATERIAL/THICKNESS.
 RECOMMENDED STIFFENER MATERIAL : POIYAMIDE
 RECOMMENDED BASE FILM THICKNESS: 25 MICROMETER
 RECOMMENDED ADHESIVE: THERMOSETTING ADHESIVE
 NOTE: PLEASE PUT APPROPRIATE AMOUNT OF ADHESIVE ON ADHEREND BECAUSE THERE IS A POSSIBILITY THAT THE EXTRA ADHESIVE CAUSES THE DEFECT IN ELECTRICAL CONTINUITY.
 THERE IS A POSSIBILITY THAT THE PRESCRIPT TEMPERATURE OF FFC IS SET TO SINGLE IT.

THIS DRAWING CONTAINS INFORMATION THAT IS PROPRIETARY TO MOLEX INCORPORATED AND SHOULD NOT BE USED WITHOUT WRITTEN PERMISSION									
EC DESCRIPTION LC NO: 140528 DRWN: FSATO CHKD: KTKAKIASHI APPR: KMORIKAWA	QUALITY SYMBOLS	GENERAL TOLERANCES (UNLESS SPECIFIED)	DIMENSION UNITS	SCALE					
	▽ = 0	ANGULAR ISL ± 1.0	MM	10:1					
	▽ = 0	4 PLACES = 0.05	KNOWN BY DATE	0.5 FPC CONN ZIF E/O 2CONT TYPE HSG ASSY					
	▽ = 0	3 PLACES = 0.1	FSATO 20° 5/04/30						
▽ = 0	2 PLACES = 0.2	CHKD BY DATE	PRODUCT CUSTOMER DRAWING						
▽ = 0	1 PLACE = 0.2	KTKAKIASHI 20° 5/06/30							
□ = 0	0 PLACES = 0.2	APPR BY DATE	SHEETS MATERIAL NUMBER CUSTOMER 505110 SEE SHEET 1 GENERAL						
■ = 0	3 PART WHEN APPLICABLE MUST REMAIN WITHIN DIMENSIONS	KMORIKAWA 20° 5/06/30							
▽ = 0		DRAWING SIZE THIRD ANGLE PROJECTION	A3	DOCUMENT NUMBER DOC TYPE DOC PART SHEET NUMBER 505110100 PSD 000 3 OF 3					
▽ = 0									