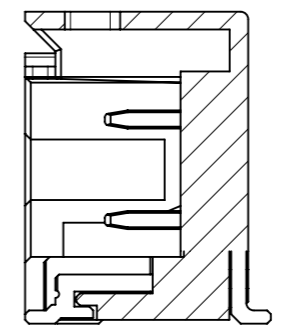
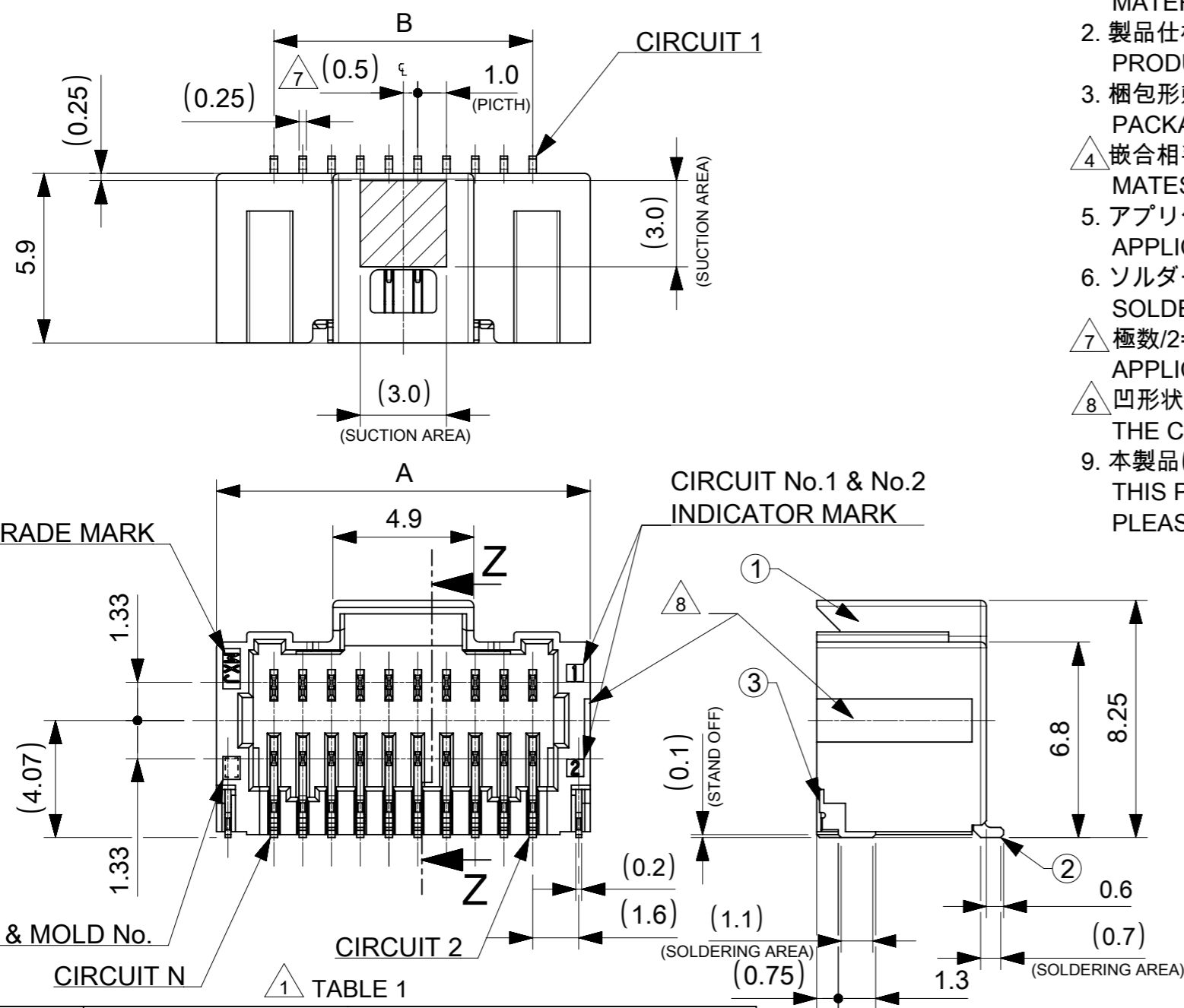


NOTES

- ① 材料及び仕上げ(めっき仕様) : TABLE 1 参照
MATERIAL AND FINISHES : SEE TABLE 1
- 2. 製品仕様書 : PS-501571-001
PRODUCT SPECIFICATION:
- 3. 梱包形態 : SEE SHEET 3
PACKAGING INFORMATION:
- ④ 嵌合相手 : 501189 シリーズ
MATES WITH:501189 SERIES
- 5. アプリケーション仕様書(コネクタ取扱い説明書) : 5011890000-AS A00(JAPANESE)/A01(ENGLISH)
APPLICATION SPECIFICATION(CONNECTOR MANUAL):
- 6. ソルダーピン及びネイルの平坦度:0.1 MAX.
SOLDER PIN AND NAIL COPLANARITY: 0.1 MAX.
- ⑦ 極数/2=偶数に適用
APPLICABLE FOR CIRCUIT SIZE/2=EVEN
- ⑧ 凹形状はキャビティにより、反対側面に存在します。
THE CONCAVE AREA TO BE SET ON THE REVERSE SIDE DEPENDING ON THE MOLDING CAVITY.
- 9. 本製品は複数の金めっき厚を展開しております。その他の金めっき厚は以下の図面を御参照下さい。
THIS PRODUCT EXIST MULTIPLE GOLD PLATING.
PLEASE REFER TO THE FOLLOWING DRAWING FOR OTHER GOLD PLATING THICKNESS.

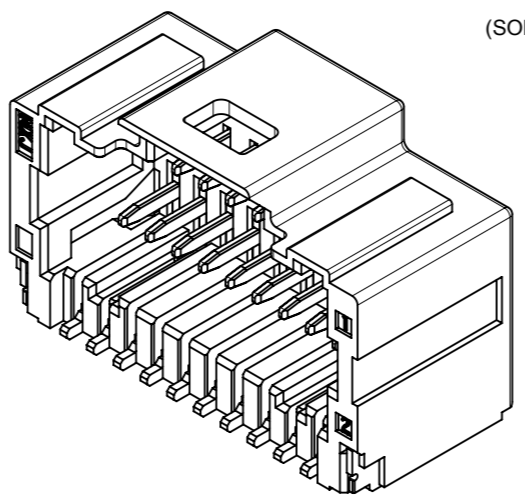
GOLD PLATING THICKNESS [micro-meter MIN.]	SERIES No.	DRAWING No.
0.38	203566	2035660000-SD PSD 000
0.76	203567	2035670000-SD PSD 000



SECTION Z-Z

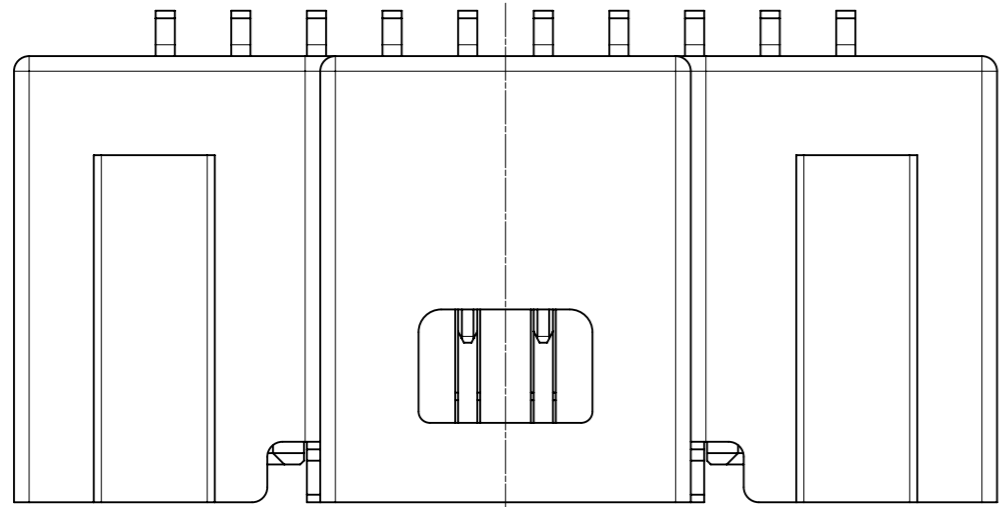
B	A	極数 CIRCUIT SIZE
24.0	28.0	50
19.0	23.0	40
14.0	18.0	30
9.0	13.0	20

番号 NO.	部品 PART	材質 MATERIAL	
①	ウエハー WAFER	ポリアミド(PA), UL94V-0, 色 : SEE SHEET 5 POLYAMIDE(PA), UL94V-0, COLOR : SEE SHEET 5	
②	ソルダーピン SOLDER PIN	リン青銅 PHOSPHOR BRONZE	
		接点部 CONTACT AREA	金めっき : 0.1 MICRO-METER MIN. GOLD PLATING
		テール部 TAIL AREA	金めっき : 0.1 MICRO-METER MIN. GOLD PLATING
	下地めっき UNDER PLATING	ニッケルめっき : 1.0 MICRO-METER MIN. NICKEL	
③	ネイル NAIL	黄銅 BRASS	
		テール部 TAIL AREA	錫めっき : 1.0 MICRO-METER MIN. MATTE TIN PLATING
		下地めっき UNDER PLATING	ニッケルめっき : 1.0 MICRO-METER MIN. NICKEL

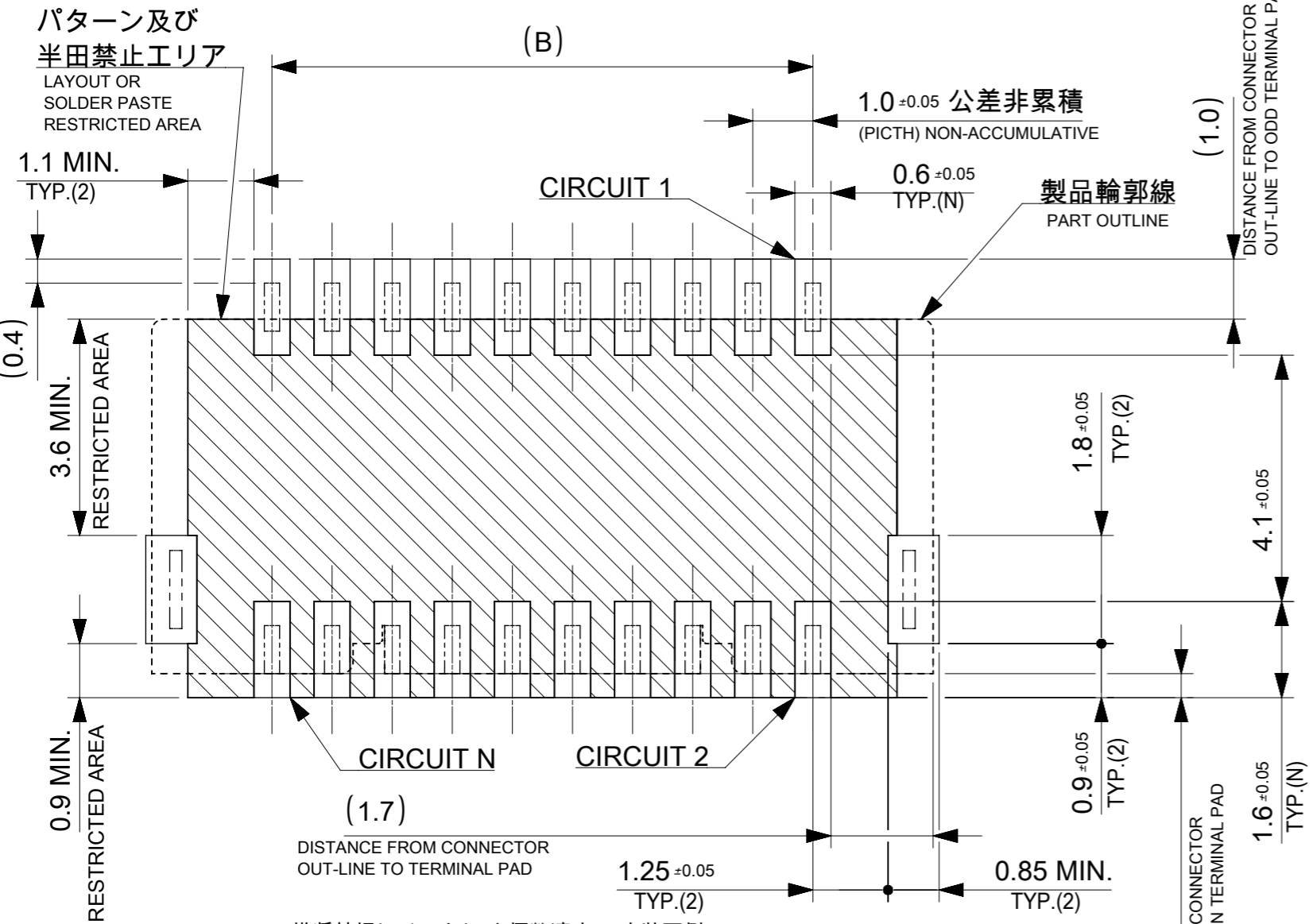


THIS DRAWING CONTAINS INFORMATION THAT IS PROPRIETARY TO MOLEX ELECTRONIC TECHNOLOGIES, LLC AND SHOULD NOT BE USED WITHOUT WRITTEN PERMISSION

DIMENSION UNITS mm	SCALE NTS	CURRENT REV DESC:	molex		
GENERAL TOLERANCES (UNLESS SPECIFIED)	ANGULAR TOL ± 3.0°	EC NO: 614725			
4 PLACES ± 0.2	DRWN: AISHIKAWA 2019/03/20	CHK'D: AIDA 2019/04/03	PRODUCT CUSTOMER DRAWING		
3 PLACES ± 0.2	APPR: KOMURAKAMI 2019/04/03	INITIAL REVISION:	DOCUMENT NUMBER		
2 PLACES ± 0.2	DRWN: AISHIKAWA 2019/03/20	APPR: KOMURAKAMI 2019/04/03	DOC TYPE		
1 PLACE ± 0.2	0 PLACES ± 0.2		DOC PART		
DRAFT WHERE APPLICABLE MUST REMAIN WITHIN DIMENSIONS	THIRD ANGLE PROJECTION	DRAWING	REVISION		
		SERIES	DOCUMENT NUMBER		
		MATERIAL NUMBER	CUSTOMER		
		SHEET NUMBER	501571		
		SEE SHEET 5	5015710000-SD		
			PSD 000 A		
			1 OF 5		



製品レイアウト
PRODUCT LAYOUT



パターン及び
半田禁止エリア
LAYOUT OR
SOLDER PASTE
RESTRICTED AREA

1.1 MIN.
TYP.(2)

3.6 MIN.
RESTRICTED AREA

0.9 MIN.
RESTRICTED AREA

1.0 ±0.05 公差非累積
(PITCH) NON-ACCUMULATIVE

0.6 ±0.05
TYP.(N)

製品輪郭線
PART OUTLINE

(1.0)
DISTANCE FROM CONNECTOR
OUT-LINE TO ODD TERMINAL PAD

1.8 ±0.05
TYP.(2)

4.1 ±0.05

0.9 ±0.05
TYP.(2)

(0.4)
DISTANCE FROM CONNECTOR
OUT-LINE TO EVEN TERMINAL PAD

1.25 ±0.05
TYP.(2)

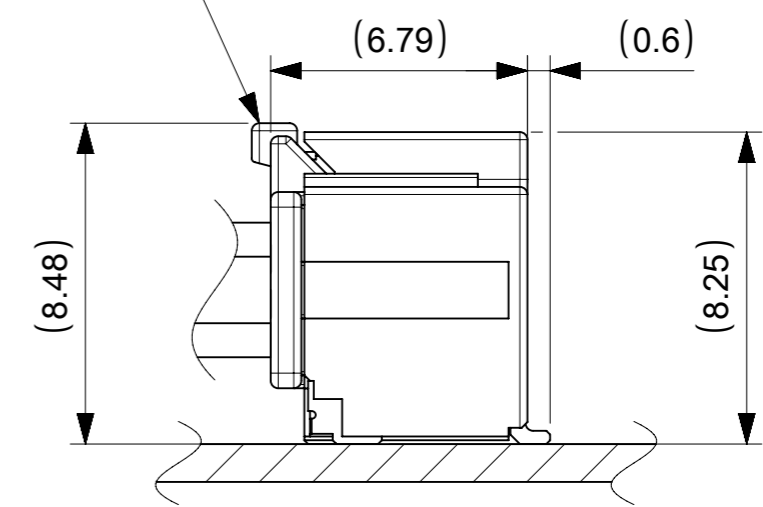
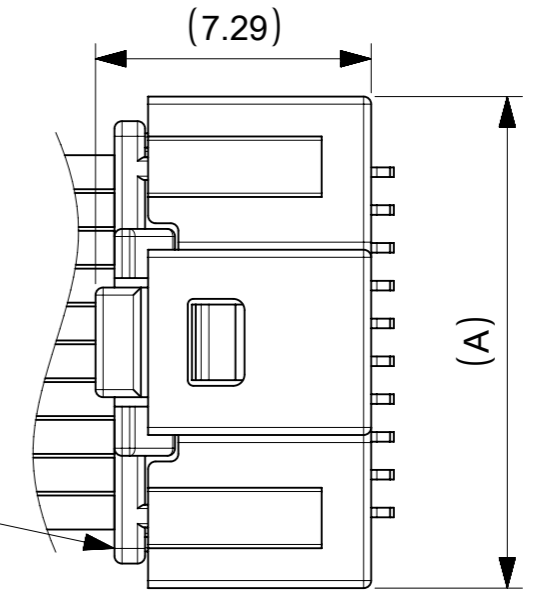
0.85 MIN.
TYP.(2)

推奨基板レイアウト(全極数適応) : 実装面側
(参考 : 基板厚 1.0mm, メタルマスク厚さ 0.12mm, マスク開口率 100%)

POLARIZED RECOMMENDED PCB LAYOUT (APPLY TO ALL CIRCUIT) : COMPONENT SIDE
(REFERENCE: PCB THICKNESS 1.0mm, STENCIL THICKNESS 0.12mm, APERTURE RATIO 100%)

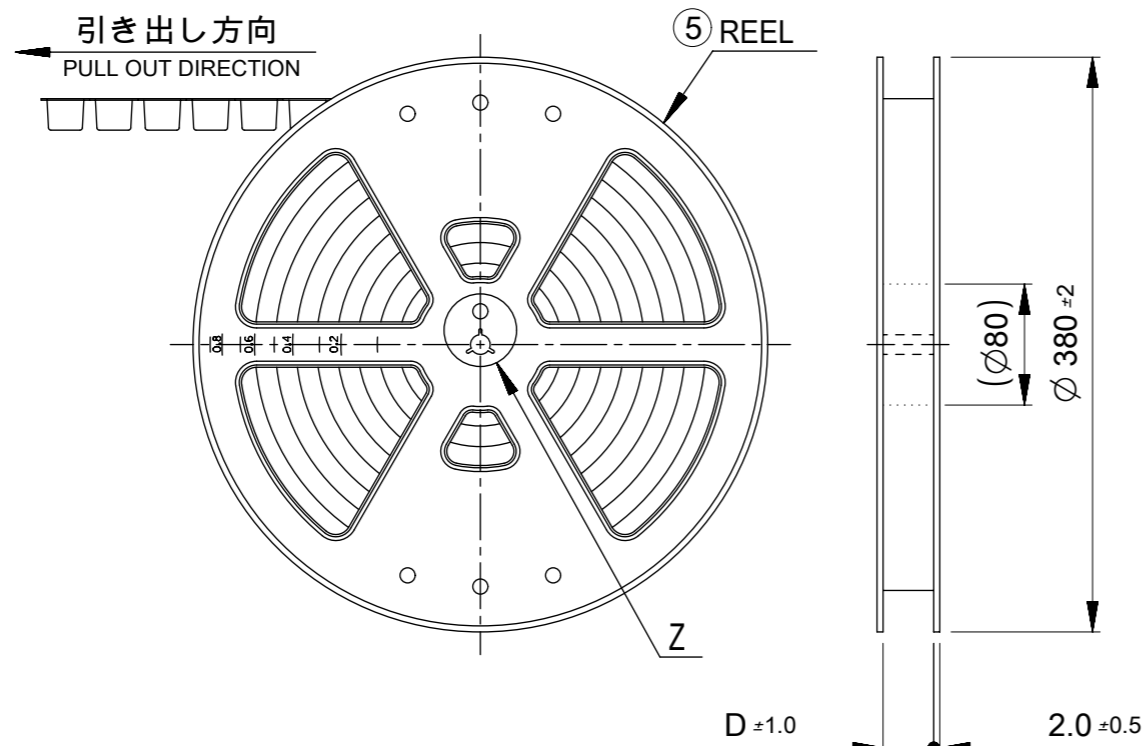
:パターン禁止エリア
RESTRICTED AREA
NO PCB COMPONENTS ALLOWED

△4 嵌合相手:501189シリーズ
MATE WITH : 501189 SERIES



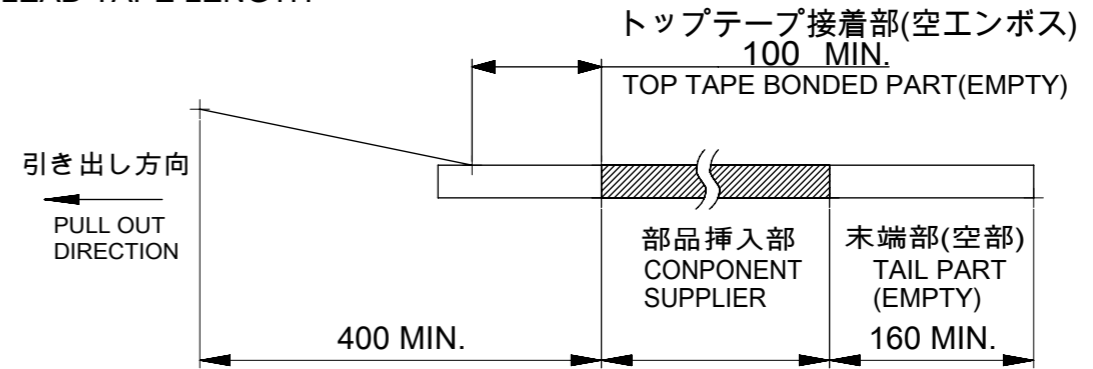
嵌合図
MATED CONNECTORS

THIS DRAWING CONTAINS INFORMATION THAT IS PROPRIETARY TO MOLEX ELECTRONIC TECHNOLOGIES, LLC AND SHOULD NOT BE USED WITHOUT WRITTEN PERMISSION		CURRENT REV DESC:		molex	
DIMENSION UNITS	SCALE				
mm	NTS			PICO-CLASP 1.0 W/B DUAL ROW RA SMT GOLD PLATING 0.1 MICRO-METER	
GENERAL TOLERANCES (UNLESS SPECIFIED)		EC NO: 614725		DOCUMENT NUMBER	
ANGULAR TOL	± 3.0 °	DRWN: AISHIKAWA	2019/03/20	5015710000-SD	
4 PLACES	± 0.2	CHK'D: AIDA	2019/04/03	DOC TYPE	DOC PART
3 PLACES	± 0.2	APPR: KOMURAKAMI	2019/04/03	PSD	000
2 PLACES	± 0.2	INITIAL REVISION:		REVISION	
1 PLACE	± 0.2	DRWN: AISHIKAWA	2019/03/20	A	
0 PLACES	± 0.2	APPR: KOMURAKAMI	2019/04/03		
DRAFT WHERE APPLICABLE MUST REMAIN WITHIN DIMENSIONS		THIRD ANGLE PROJECTION	DRAWING	SERIES	MATERIAL NUMBER
			A3-SIZE	501571	CUSTOMER
				SEE SHEET 5	SHEET NUMBER
				2 OF 5	

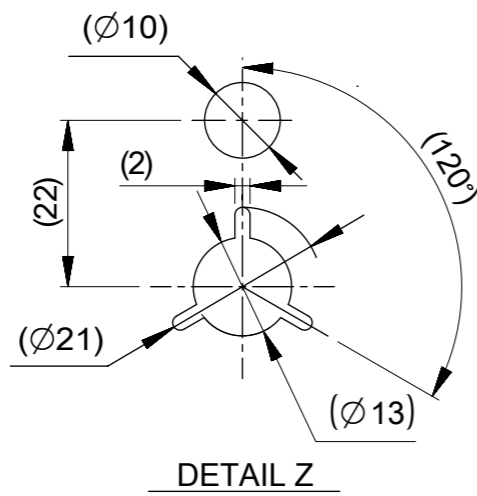


NOTES

- 10. 梱包数量:800個/リール
NUMBER OF CONNECTORS : 800 PIECES/REEL
- 11. リードテープ長さ
LEAD TAPE LENGTH



- 12. トップテープの剥離強度はIEC60286-3に準拠。
TOP TAPE PEELING FORCE IS DEFINED BY IEC60286-3.
- 13. 梱包仕様書 : SPK-501571-001
PACKAGE SPECIFICATION:
- 14. 発注番号 : SHEET 5 参照
ORDER No. : PLEASE REFER TO SHEET 5 FOR PRODUCT LIST.



501571

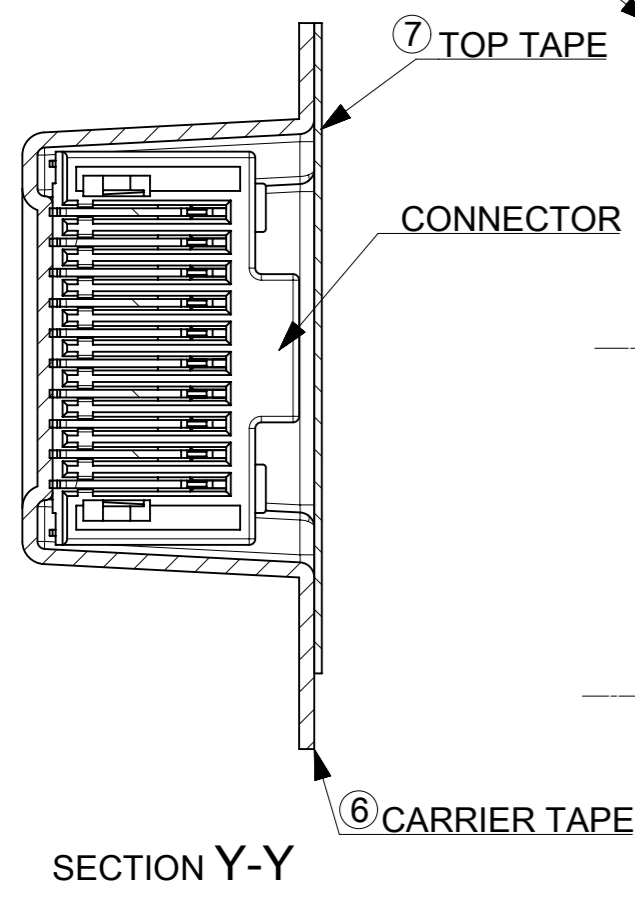
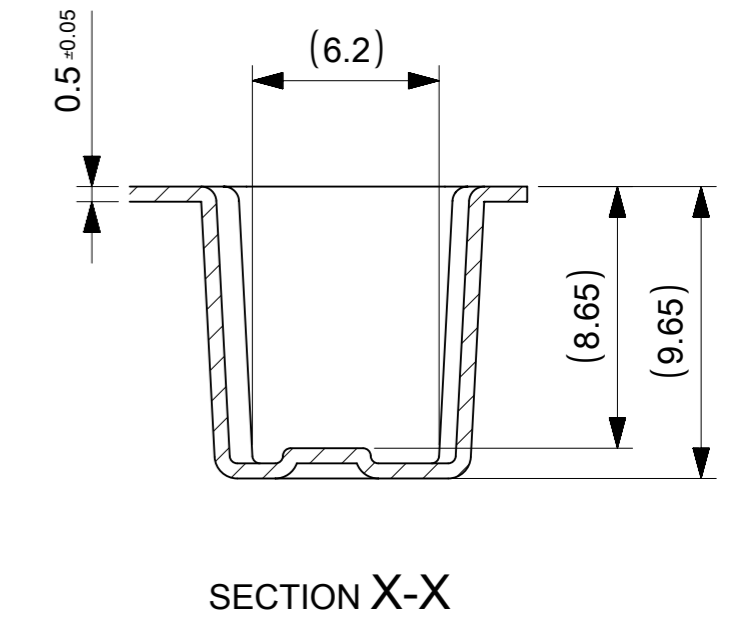
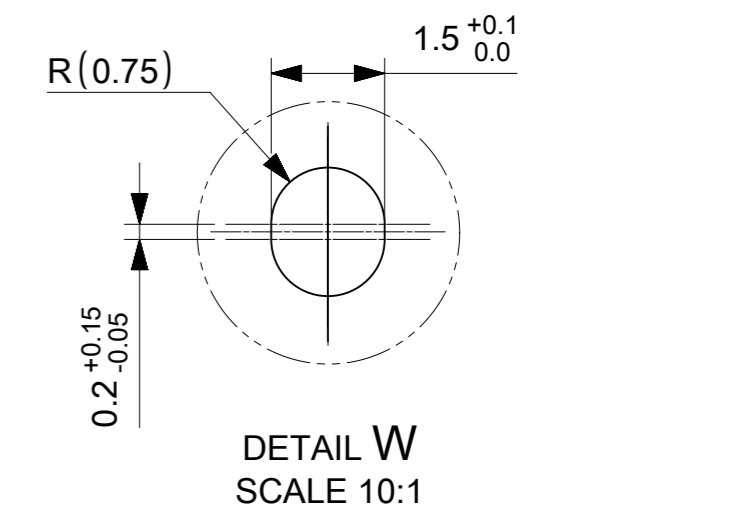
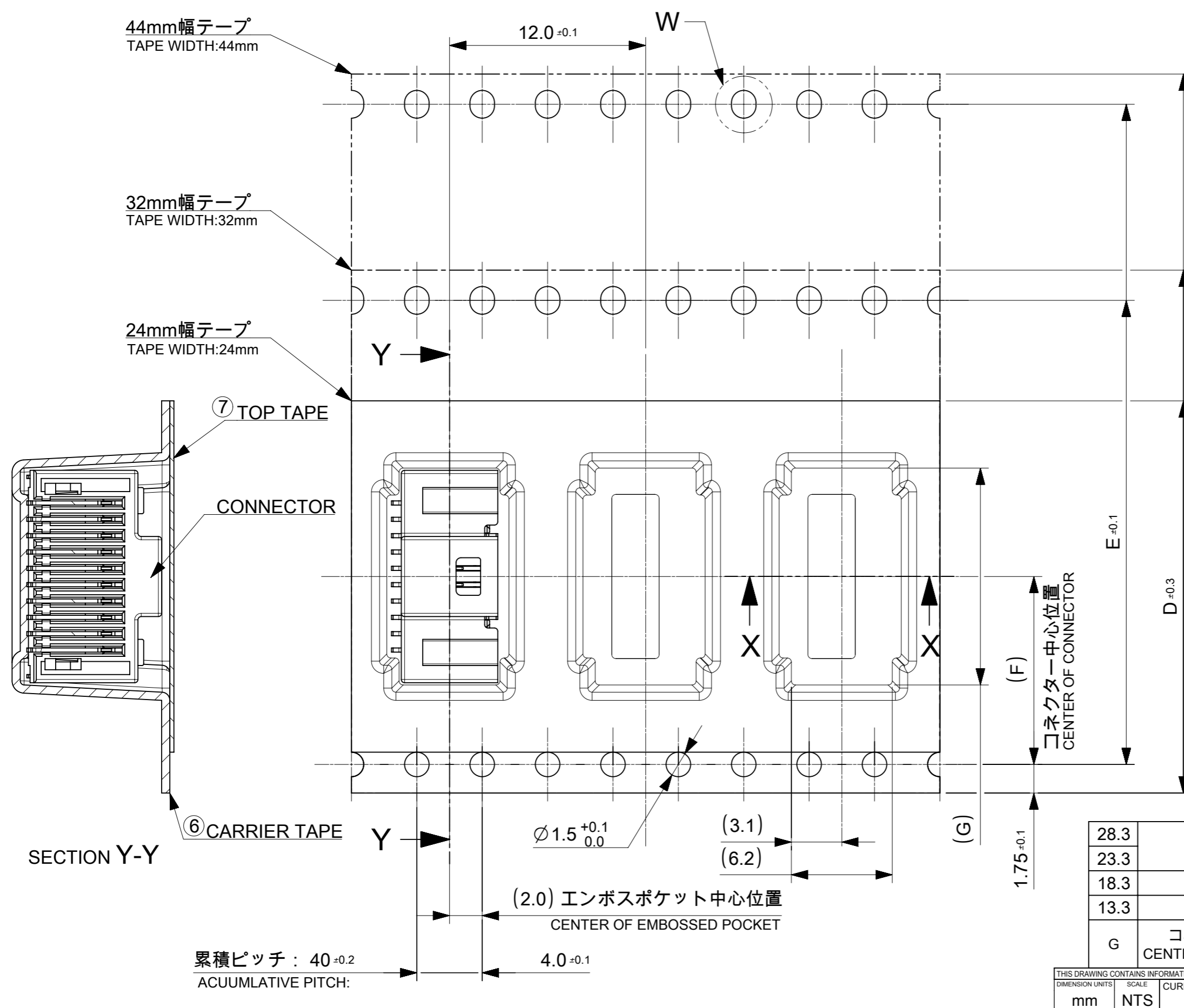
** ** *

極数 CIRCUIT SIZE	ハウジングカラー HOUSING COLOR	製品識別番号 IDENTIFICATION NUMBER
	0:NATURAL(BEIGE)	7:EMBOSSED PACKAGE

45.5	50
	40
33.5	30
25.5	20
D	極数 CIRCUIT SIZE

THIS DRAWING CONTAINS INFORMATION THAT IS PROPRIETARY TO MOLEX ELECTRONIC TECHNOLOGIES, LLC AND SHOULD NOT BE USED WITHOUT WRITTEN PERMISSION		CURRENT REV DESC:		molex	
DIMENSION UNITS mm	SCALE NTS	EC NO: 614725			
GENERAL TOLERANCES (UNLESS SPECIFIED)		DRWN: AISHIKAWA 2019/03/20		PICO-CLASP 1.0 W/B	
ANGULAR TOL	± 3.0 °	CHK'D: AIDA 2019/04/03		DUAL ROW RA SMT GOLD PLATING	
4 PLACES	± 0.2	APPR: KOMURAKAMI 2019/04/03		0.1 MICRO-METER	
3 PLACES	± 0.2	INITIAL REVISION:		PRODUCT CUSTOMER DRAWING	
2 PLACES	± 0.2	DRWN: AISHIKAWA 2019/03/20		DOCUMENT NUMBER	
1 PLACE	± 0.2	APPR: KOMURAKAMI 2019/04/03		5015710000-SD	
0 PLACES	± 0.2	THIRD ANGLE PROJECTION		DOC TYPE	
DRAFT WHERE APPLICABLE MUST REMAIN WITHIN DIMENSIONS		DRAWING		DOC PART	
		A3-SIZE		000	
		SERIES		REVISION	
		501571		A	
		MATERIAL NUMBER		SHEET NUMBER	
		SEE SHEET 5		3 OF 5	
		CUSTOMER			

番号 NO.	部品 PART	材質 MATERIAL
⑤	リール REEL	ポリスチレン(PS) <リサイクル材を含む> POLYSTYRENE(PS) <RECYCLE MATERIAL CONTAINED>
DOCUMENT STATUS	P1	RELEASE DATE 2019/04/03 09:49:00



28.3				50
23.3	20.2	40.4	44.0	40
18.3	14.2	28.4	32.0	30
13.3	11.5	-	24.0	20
G	コネクタ中心位置 F CENTER OF CONNECTOR	E	エンボステープ幅 D WIDTH OF TAPE	極数 CIRCUIT SIZE

THIS DRAWING CONTAINS INFORMATION THAT IS PROPRIETARY TO MOLEX ELECTRONIC TECHNOLOGIES, LLC AND SHOULD NOT BE USED WITHOUT WRITTEN PERMISSION		CURRENT REV DESC:		molex	
DIMENSION UNITS	SCALE				
mm	NTS			PICO-CLASP 1.0 W/B DUAL ROW RA SMT GOLD PLATING 0.1 MICRO-METER	
GENERAL TOLERANCES (UNLESS SPECIFIED)		EC NO: 614725		DOCUMENT NUMBER	
ANGULAR TOL	± 3.0°	DRWN: AISHIKAWA	2019/03/20	5015710000-SD	DOC TYPE
4 PLACES	± 0.2	CHK'D: AIDA	2019/04/03	PSD	DOC PART
3 PLACES	± 0.2	APPR: KOMURAKAMI	2019/04/03	000	REVISION
2 PLACES	± 0.2	INITIAL REVISION:		A	
1 PLACE	± 0.2	DRWN: AISHIKAWA	2019/03/20		
0 PLACES	± 0.2	APPR: KOMURAKAMI	2019/04/03		
DRAFT WHERE APPLICABLE MUST REMAIN WITHIN DIMENSIONS		THIRD ANGLE PROJECTION	DRAWING	SERIES	MATERIAL NUMBER
			A3-SIZE	501571	CUSTOMER
				SEE SHEET 5	SHEET NUMBER
					4 OF 5

番号 NO.	部品 PART	材質 MATERIAL
⑥	キャリアテープ CARRIER TAPE	ポリプロピレン(PP)、その他 POLYPROPYLEN(PP), etc
⑦	トップテープ TOP TAPE	ポリエチレン(PE)、その他 POLYETHYLENE(PE), etc

DOCUMENT STATUS	P1	RELEASE DATE	2019/04/03	09:49:00
-----------------	----	--------------	------------	----------

引き出し方向
PULL OUT DIRECTION

9 8 7 6 5 4 3 2 1

E

E

D

D

C

C

B

B

A

A

△14 製品一覧 PRODUCT LIST

HOUSING COLOR	
NATURAL(BEIGE)	
501571 5007	50
501571 4007	40
501571 3007	30
501571 2007	20
発注番号 ORDER No.	極数
梱包形態 : エンボスリール PACKAGE:EMBOSSED REEL	CIRCUIT SIZE

THIS DRAWING CONTAINS INFORMATION THAT IS PROPRIETARY TO MOLEX ELECTRONIC TECHNOLOGIES, LLC AND SHOULD NOT BE USED WITHOUT WRITTEN PERMISSION											
DIMENSION UNITS	SCALE	CURRENT REV DESC:					molex				
mm	NTS										
GENERAL TOLERANCES (UNLESS SPECIFIED)		EC NO: 614725					PICO-CLASP 1.0 W/B				
ANGULAR TOL	± 3.0 °	DRWN: AISHIKAWA 2019/03/20					DUAL ROW RA SMT GOLD PLATING				
4 PLACES	± 0.2	CHK'D: AIDA 2019/04/03					0.1 MICRO-METER				
3 PLACES	± 0.2	APPR: KOMURAKAMI 2019/04/03					PRODUCT CUSTOMER DRAWING				
2 PLACES	± 0.2	INITIAL REVISION:					DOCUMENT NUMBER				
1 PLACE	± 0.2	DRWN: AISHIKAWA 2019/03/20					5015710000-SD				
0 PLACES	± 0.2	APPR: KOMURAKAMI 2019/04/03					DOC TYPE		DOC PART		REVISION
DRAFT WHERE APPLICABLE MUST REMAIN WITHIN DIMENSIONS		THIRD ANGLE PROJECTION		DRAWING	SERIES	MATERIAL NUMBER	CUSTOMER		SHEET NUMBER		
				A3-SIZE	501571	SEE SHEET 5			5 OF 5		

DOCUMENT STATUS	P1	RELEASE DATE	2019/04/03 09:49:00
-----------------	----	--------------	---------------------

9 8 7 6 5 4 3 2 1

FORMAT: master-ib-prod-A3
REVISION: 11
DATE: 2018/01/18