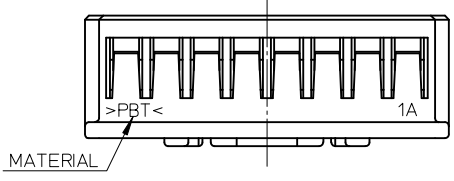
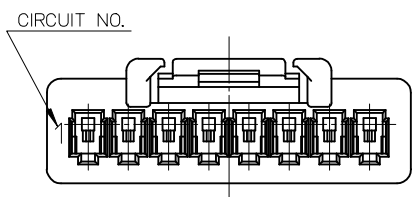
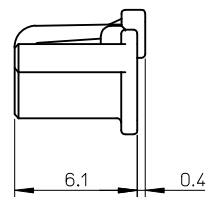
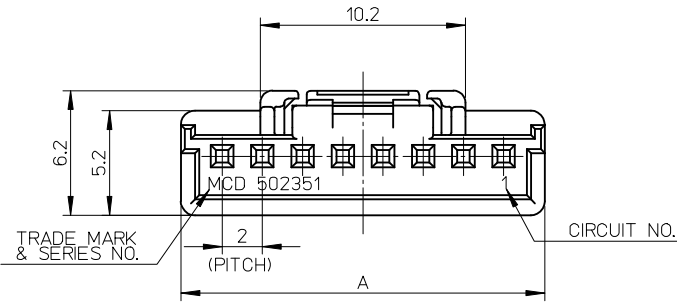


NOTES

1. 材質: PBT UL94V-0  
MATERIAL: PBT UL94V-0
2. 色: 白, 黒  
COLOR: WHITE, BLACK
3. 適合端子: 50212, 50372, 56161, 560085シリーズ  
APPLICABLE TERMINAL: 50212, 50372, 56161, 560085 SERIES
4. 嵌合相手: 502352, 560020シリーズ  
MATES WITH: 502352, 560020 SERIES
5. ELV及びRoHS適合品  
ELV AND RoHS COMPLIANT
6. 一般公差  
GENERAL TOLERANCES  
10 UNDER: 0.2  
10 OVER 30 UNDER: 0.25  
30 OVER: 0.3  
ANGULAR: ±3°



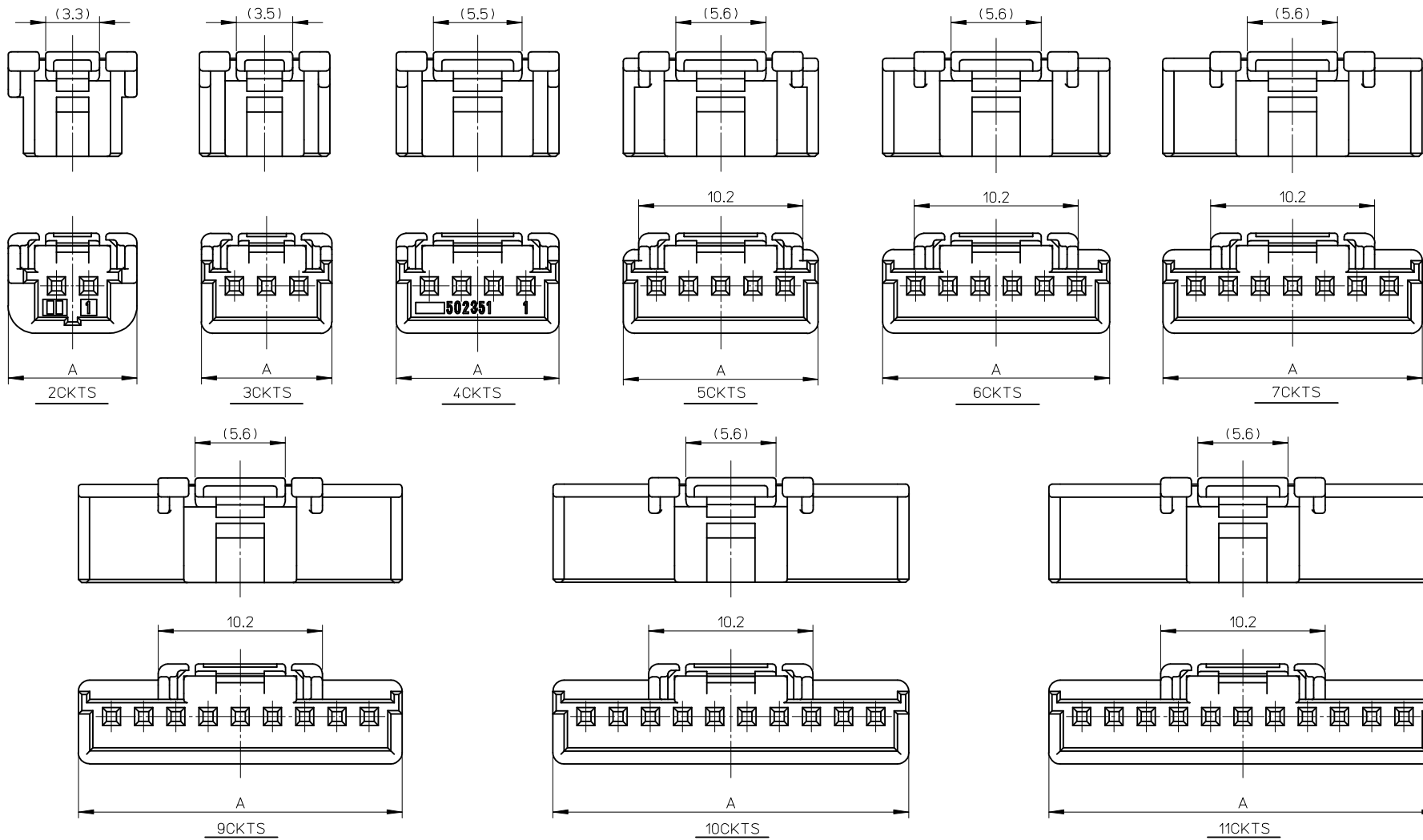
8CKTS

| COLOR | A    | MATERIAL NO. | CKTS | COLOR   | A    | MATERIAL NO. | CKTS |
|-------|------|--------------|------|---------|------|--------------|------|
| BLACK |      |              | 15   | NATURAL | 32.1 | 502351-1500  | 15   |
|       |      |              | 14   |         | 30.1 | 502351-1400  | 14   |
|       |      |              | 13   |         | 28.1 | 502351-1300  | 13   |
|       |      |              | 12   |         | 26.1 | 502351-1200  | 12   |
|       |      |              | 11   |         | 24.1 | 502351-1100  | 11   |
|       |      |              | 10   |         | 22.1 | 502351-1000  | 10   |
|       |      |              | 9    |         | 20.1 | 502351-0900  | 9    |
|       |      |              | 8    |         | 18.1 | 502351-0800  | 8    |
|       | 18.1 | 502351-0801  | 8    |         |      |              |      |
|       | 16.1 | 502351-0701  | 7    |         |      |              |      |
|       | 14.1 | 502351-0601  | 6    |         |      |              |      |
|       | 12.1 | 502351-0501  | 5    |         |      |              |      |
|       | 10.1 | 502351-0401  | 4    |         |      |              |      |
|       | 8.1  | 502351-0301  | 3    |         |      |              |      |
|       | 8.0  | 502351-0201  | 2    |         |      |              |      |

|  |                                      |  |                      |                            |                     |                     |                        |   |  |  |
|--|--------------------------------------|--|----------------------|----------------------------|---------------------|---------------------|------------------------|---|--|--|
| REVISED<br>EC NO: JTR2015-0089<br>DRWN: YAMAKI 2015/03/03<br>CHKD: KOMATSU 2015/03/03<br>APPR: MAYAMOTO 2015/04/28 | QUALITY SYMBOLS<br>△=0<br>□=0<br>○=0 | GENERAL TOLERANCES (UNLESS SPECIFIED)                |                      | DIMENSION STYLE<br>MM ONLY |                     | SCALE<br>4:1        | DESIGN UNITS<br>METRIC | THIRD ANGLE PROJECTION                                      |  |  |
|  |                                      | 4 PLACES ± --- ± ---                                 | 3 PLACES ± --- ± --- | 2 PLACES ± --- ± ---       | 1 PLACE ± --- ± --- | 0 PLACE ± --- ± --- | ANGULAR ± °            | TITLE<br>2.0MM PITCH WIRE TO BOARD CONN. RECEPTACLE HOUSING |  |  |
|  |                                      | DRAFT WHERE APPLICABLE MUST REMAIN WITHIN DIMENSIONS |                      |                            |                     |                     |                        | SEE CHART   |  |  |
|  |                                      | MATERIAL NO.   |                      |                            | DOCUMENT NO.        |                     |                        | SHEET NO.   |  |  |



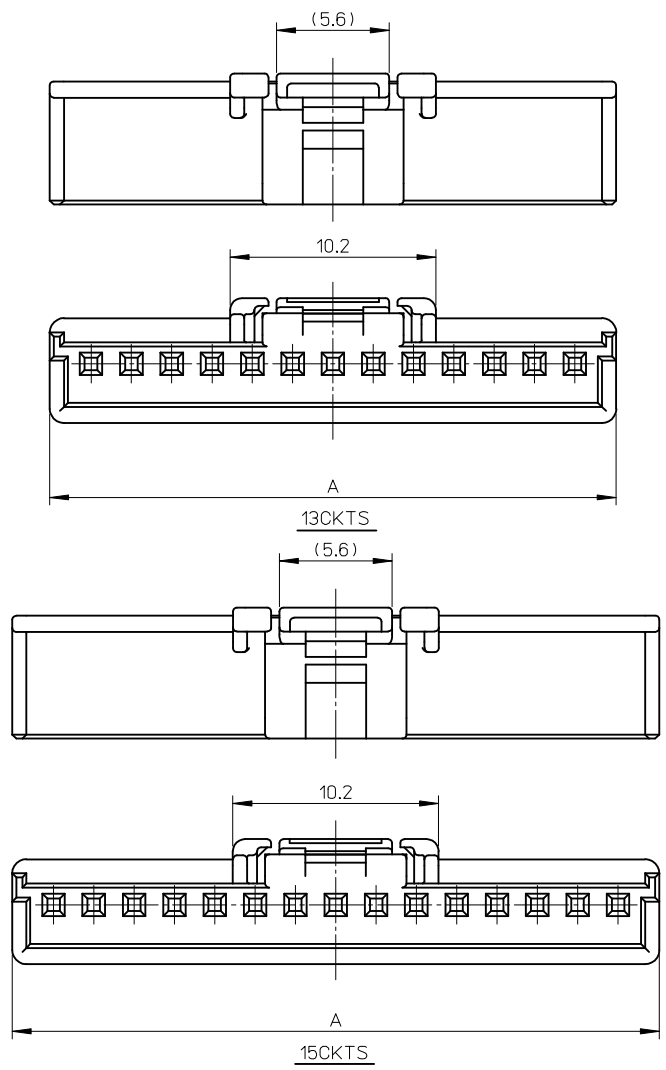
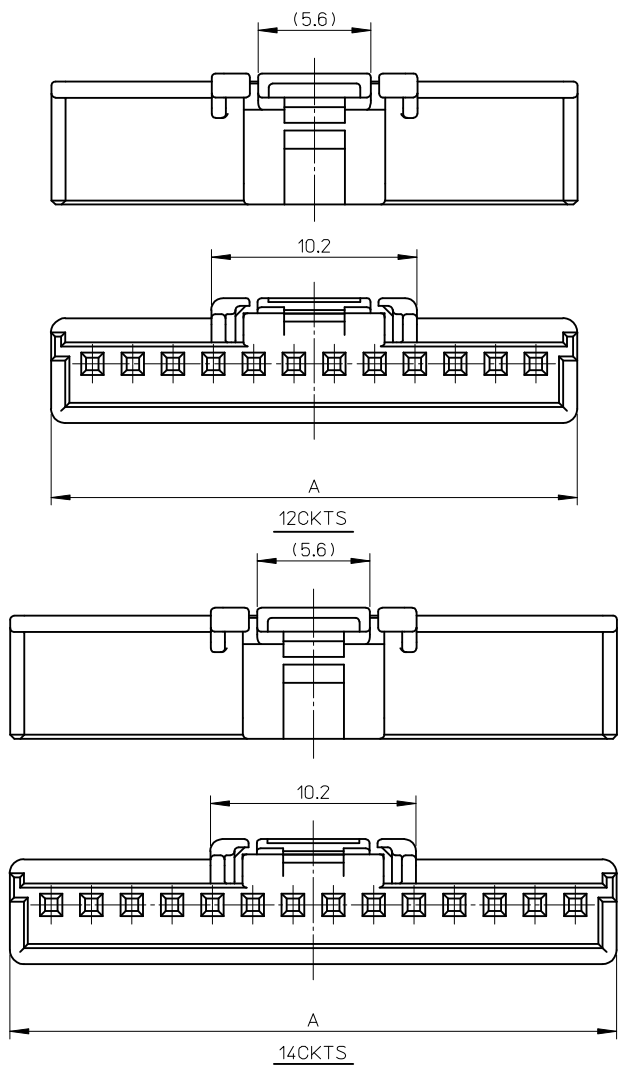
10 9 8 7 6 5 4 3 2 1



|   |   |  |              |   |                     |  |                        |                     |  |
|---|---|--|--------------|---|---------------------|--|------------------------|---------------------|--|
| <b>REVISED</b><br>EC NO: JTR2015-0089<br>DRWN: Y. TAMAKI 2015/03/03<br>CH'KD: H. KOMATSU 2015/03/03<br>APPR: M. YAMAMOTO 2015/04/28 | QUALITY SYMBOLS<br>$\nabla = 0$<br>$\nabla = 0$<br>$\nabla = 0$ | GENERAL TOLERANCES (UNLESS SPECIFIED)  |              | DIMENSION STYLE<br><b>MM ONLY</b>   | SCALE<br><b>4:1</b> | DESIGN UNITS<br><b>METRIC</b>                                      | THIRD ANGLE PROJECTION |                     |  |
|   |   | 4 PLACES $\pm$ --- $\pm$ ---<br>3 PLACES $\pm$ --- $\pm$ ---<br>2 PLACES $\pm$ --- $\pm$ ---<br>1 PLACE $\pm$ --- $\pm$ ---<br>0 PLACE $\pm$ --- $\pm$ --- | mm      INCH | DRAWN BY<br>SHSHIBATA   | DATE<br>2007/12/18  | TITLE<br><b>2.0MM PITCH WIRE TO BOARD CONN. RECEPTACLE HOUSING</b> |                        |                     |  |
|   |   | ANGULAR $\pm$ - °  |              | CHECKED BY<br>HKOMATSU  | DATE<br>2007/12/18  | <b>molex</b>   |                        |                     |  |
|   |   | DRAFT WHERE APPLICABLE MUST REMAIN WITHIN DIMENSIONS   |              | APPROVED BY<br>MAYAMAMOTO   | DATE<br>2010/12/02  | DOCUMENT NO.<br>SD-502351-001                                      |                        | SHEET NO.<br>2 OF 3 |  |
| SEE CHART   |   | MATERIAL NO.   |              | THIS DRAWING CONTAINS INFORMATION THAT IS PROPRIETARY TO MOLEX INCORPORATED AND SHOULD NOT BE USED WITHOUT WRITTEN PERMISSION |                     |  |                        |                     |  |

9 8 7 6 5 4 3 2 1

10 9 8 7 6 5 4 3 2 1



|  |   |                                       |  |   |                           |                               |                               |   |
|--|---|---------------------------------------|--|---|---------------------------|-------------------------------|-------------------------------|---|
| <b>REVISED</b><br>EC NO: JTR2015-0089<br>DRWN: Y. TAMAKI 2015/03/03<br>CHKD: H. KOMATSU 2015/03/03<br>APPR: M. YAMAMOTO 2015/04/28 | QUALITY SYMBOLS<br>$\nabla = 0$<br>$\nabla \square = 0$<br>$\nabla \square = 0$ | GENERAL TOLERANCES (UNLESS SPECIFIED) |  | DIMENSION STYLE<br><b>MM ONLY</b>   | SCALE<br><b>4:1</b>       | DESIGN UNITS<br><b>METRIC</b> | THIRD ANGLE PROJECTION        |   |
|  |   | 4 PLACES ± --- ± ---                  | 3 PLACES ± --- ± ---                                 | mm  | INCH                      | DRAWN BY<br>SHSHIBATA         | DATE<br>2007/12/18            | TITLE<br>2.0MM PITCH WIRE TO BOARD CONN. RECEPTACLE HOUSING |
|  |   | 2 PLACES ± --- ± ---                  | 1 PLACE ± --- ± ---                                  | ANGULAR ± - °   |                           | CHECKED BY<br>HKOMATSU        | DATE<br>2007/12/18            | <b>molex</b>  |
|  |   | 0 PLACE ± --- ± ---                   | DRAFT WHERE APPLICABLE MUST REMAIN WITHIN DIMENSIONS |   | APPROVED BY<br>MAYAMAMOTO | DATE<br>2010/12/02            | DOCUMENT NO.<br>SD-502351-001 |   |
| G  | REV   | SEE CHART                             |  | THIS DRAWING CONTAINS INFORMATION THAT IS PROPRIETARY TO MOLEX INCORPORATED AND SHOULD NOT BE USED WITHOUT WRITTEN PERMISSION |                           |                               | SIZE<br>A3                    |   |

9 8 7 6 5 4 3 2 1