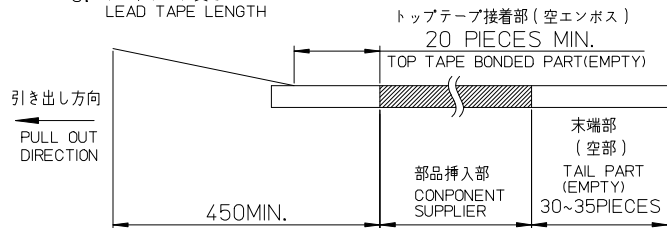


NOTES

- 製品詳細寸法は製品単体図面を参照して下さい。  
FOR DETAIL OF CONNECTOR DIMENSIONS,  
PLEASE SEE THE DRAWING OF CONNECTOR ITSELF (NOT PACKAGED).
- 梱包数量 : 1200個  
NUMBER OF CONNECTORS : 1200 PIECES/REEL.
- リードテープ長さ  
LEAD TAPE LENGTH




- 材料 MATERIAL  
キャリアテープ: ポリスチレン (PS)  
CARRIER TAPE: POLYSTYRENE (PS)  
トップテープ: ポリエステル (PET)、その他  
TOP TAPE: POLYESTER (PET)、OTHER  
リール: ポリスチレン (PS) <リサイクル材を含む>  
REEL: POLYSTYRENE (PS) <RECYCLE MATERIAL CONTAINED>
- トップテープの剥離強度については、IEC60286-3に準拠  
TOP TAPE PEEL FORCE IS DEFINED BY IEC60286-3.

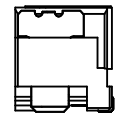
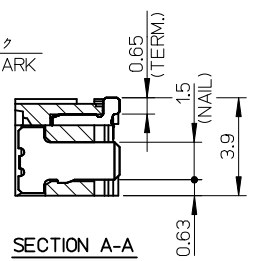
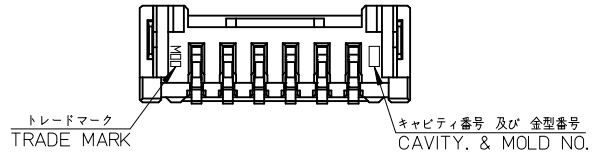
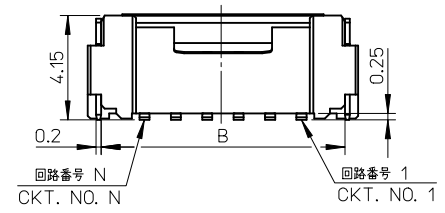
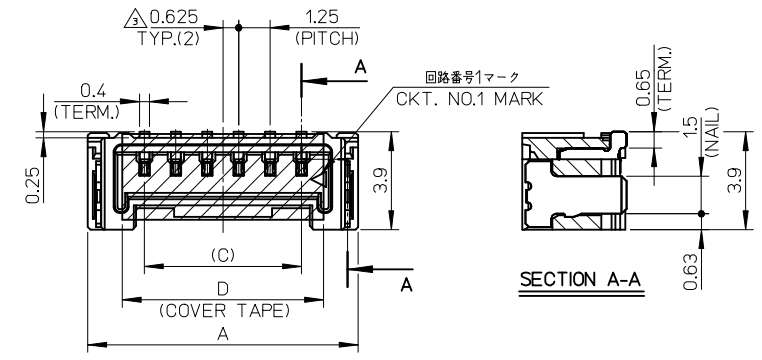
49.4	45.4	20.2	44	504194167*	16
49.4	45.4	20.2	44	504194157*	15
49.4	45.4	20.2	44	504194147*	14
37.4	33.4	14.2	32	504194137*	13
37.4	33.4	14.2	32	504194127*	12
37.4	33.4	14.2	32	504194117*	11
37.4	33.4	14.2	32	504194107*	10
29.4	25.4	11.5	24	504194097*	9
29.4	25.4	11.5	24	504194087*	8
29.4	25.4	11.5	24	504194077*	7
29.4	25.4	11.5	24	504194067*	6
29.4	25.4	11.5	24	504194057*	5
29.4	25.4	11.5	24	504194047*	4
21.4	17.4	7.5	16	504194037*	3
21.4	17.4	7.5	16	504194027*	2
D	C	B	エンボステープ幅 WIDTH OF TAPE A	エンボス梱包 EMBOSSSED TAPE PACKAGE オーダー番号 ORDER NO.	極数 (K.T. NO.)

RELEASED EC NO: J2014-0166 2013/07/29 DRWN:SSAIT002 CHKD:KASAKAWA APPR:NUKITA 2013/08/08	DESCRIPTION	GENERAL TOLERANCES (UNLESS SPECIFIED)		DIMENSION STYLE	SCALE	DESIGN UNITS	THIRD ANGLE PROJECTION	
				MM ONLY	2:1	METRIC	⊙	
		10 UNDER	± 0.2	DRAWN BY	DATE	TITLE		EMBOSSSED TAPE PKG FOR 1.25 WTB SINGLE ST SMT
		10 OVER 30 UNDER	± 0.25	SSAT002	2013/07/29			
30 OVER	± 0.3	CHECKED BY	DATE					
ANGULAR ±1 °		KASAKAWA	2013/07/30					
DRAFT WHERE APPLICABLE MUST REMAIN WITHIN DIMENSIONS		APPROVED BY	DATE	MATERIAL NO.		DOCUMENT NO.		
		NUKITA	2013/08/08	SEE SHEET 2		SD-504194-001		
		SIZE A3		THIS DRAWING CONTAINS INFORMATION THAT IS PROPRIETARY TO MOLEX INCORPORATED AND SHOULD NOT BE USED WITHOUT WRITTEN PERMISSION				

ELV AND RoHS COMPLIANT

HSG COLOR ORANGE	HSG COLOR GREEN	HSG COLOR BLUE	HSG COLOR YELLOW	HSG COLOR RED	HSG COLOR BLACK	HSG COLOR NATURAL (BEIGE)	
5041941678	5041941676	5041941674	5041941673	5041941672	5041941671	5041941670	16
5041941578	5041941576	5041941574	5041941573	5041941572	5041941571	5041941570	15
5041941478	5041941476	5041941474	5041941473	5041941472	5041941471	5041941470	14
5041941378	5041941376	5041941374	5041941373	5041941372	5041941371	5041941370	13
5041941278	5041941276	5041941274	5041941273	5041941272	5041941271	5041941270	12
5041941178	5041941176	5041941174	5041941173	5041941172	5041941171	5041941170	11
5041941078	5041941076	5041941074	5041941073	5041941072	5041941071	5041941070	10
5041940978	5041940976	5041940974	5041940973	5041940972	5041940971	5041940970	9
5041940878	5041940876	5041940874	5041940873	5041940872	5041940871	5041940870	8
5041940778	5041940776	5041940774	5041940773	5041940772	5041940771	5041940770	7
5041940678	5041940676	5041940674	5041940673	5041940672	5041940671	5041940670	6
5041940578	5041940576	5041940574	5041940573	5041940572	5041940571	5041940570	5
5041940478	5041940476	5041940474	5041940473	5041940472	5041940471	5041940470	4
5041940378	5041940376	5041940374	5041940373	5041940372	5041940371	5041940370	3
5041940278	5041940276	5041940274	5041940273	5041940272	5041940271	5041940270	2
EMBOSSSED TAPE PACKAGE オーダー番号 ORDER NO.	EMBOSSSED TAPE PACKAGE オーダー番号 ORDER NO.	EMBOSSSED TAPE PACKAGE オーダー番号 ORDER NO.	EMBOSSSED TAPE PACKAGE オーダー番号 ORDER NO.	EMBOSSSED TAPE PACKAGE オーダー番号 ORDER NO.	EMBOSSSED TAPE PACKAGE オーダー番号 ORDER NO.	EMBOSSSED TAPE PACKAGE オーダー番号 ORDER NO.	極数 CKT.NO.

RELEASED EC NO: J2014-0166 DRWN:SSAT002 2013/07/29 CHKD:KASAKAWA 2013/07/30 APPR:NUKITA 2013/08/08	DESCRIPTION	GENERAL TOLERANCES (UNLESS SPECIFIED)	DIMENSION STYLE MM ONLY	SCALE 2:1	DESIGN UNITS METRIC	THIRD ANGLE PROJECTION	
	REV	10 UNDER ± 0.2	DRAWN BY DATE SSAT002 2013/07/29	TITLE EMBOSSSED TAPE PKG FOR 1.25 WTB SINGLE ST SMT			
		10 OVER 30 UNDER ± 0.25	CHECKED BY DATE KASAKAWA 2013/07/30				
		30 OVER ± 0.3	APPROVED BY DATE NUKITA 2013/08/08				
		ANGULAR ± 1 °	MATERIAL NO. SEE TABLE	DOCUMENT NO. SD-504194-001	SHEET NO. 2 OF 2		
	DRAFT WHERE APPLICABLE MUST REMAIN WITHIN DIMENSIONS	THIS DRAWING CONTAINS INFORMATION THAT IS PROPRIETARY TO MOLEX INCORPORATED AND SHOULD NOT BE USED WITHOUT WRITTEN PERMISSION					



NOTES

1. 嵌合相手: 504193\*\*0\*  
MATE WITH: 504193\*\*0\*
2. 端子テール部 及び ネイルの平坦度: 0.1MAX.  
TAIL AND NAIL COPLANARITY TO BE 0.1 MAX.  
極数/2=偶数に適用。  
APPLY FOR CKT. SIZE / 2 = EVEN.
4. 端子テール部 及び ネイルに錫めっきを使用しているため、  
外觀に摺動痕が付く場合が御座います。  
THE WOUND OF FRICTION MIGHT ADHERE TO EXTERNALS  
BECAUSE THE TIN PLATING IS USED FOR THE TAIL AND NAIL.
5. 本製品のプラスチック部に黒点等が確認される場合や  
色合いが異なる場合がありますが、製品性能に影響はありません。  
THERE IS NO INFLUENCE IN THE PRODUCT PERFORMANCE THOUGH  
THE BLACK SPOT ETC. MIGHT BE CONFIRMED TO THE PLASTIC PART  
OF THIS PRODUCT AND THE SHADE MIGHT BE DIFFERENT.
6. アプリケーション仕様書(コネクタ取扱説明書): AS-504193-001-002  
APPLICATION SPECIFICATIONS(CONNECTOR MANUAL): AS-504193-001-002
7. 製品仕様書: PS-504193-001  
PRODUCT SPECIFICATION: PS-504193-001
8. 製品番号 MATERIAL No.

504194\*\*0\*

NO.	COLOR
0	NATURAL
1	BLACK
2	RED
3	YELLOW
4	BLUE
6	GREEN
8	ORANGE

極数 ↑ 色 ↓  
CIRCUIT SIZE COLOR

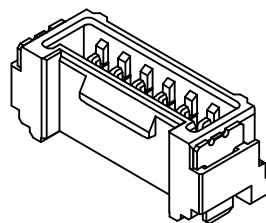
12	18.75	22.2	23.25	504194167*	16
12	17.5	20.95	22	504194157*	15
12	16.25	19.7	20.75	504194147*	14
12	15	18.45	19.5	504194137*	13
12	13.75	17.2	18.25	504194127*	12
12	12.5	15.95	17	504194117*	11
12	11.25	14.7	15.75	504194107*	10
10	10	13.45	14.5	504194097*	9
8	8.75	12.2	13.25	504194087*	8
8	7.5	10.95	12	504194077*	7
8	6.25	9.7	10.75	504194067*	6
8	5	8.45	9.5	504194057*	5
7	3.75	7.2	8.25	504194047*	4
5	2.5	5.95	7	504194037*	3
5	1.25	4.7	5.75	504194027*	2

D C B A

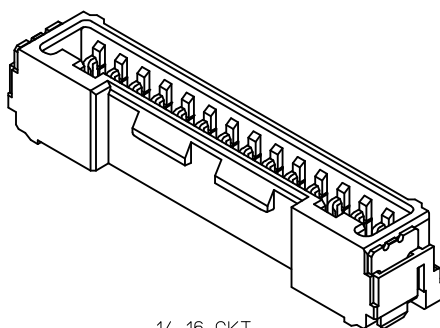
EMBOSSED TAPE PACKAGE	極数
オーダー番号	CKT. NO.
ORDER NO.	

部品 PART	材質 MATERIAL
ハウジング HOUSING	ポリアミド(PA), ガラス充填, UL94 V-0, 色: SEET3参照 POLYAMIDE(PA), GALASS FILLED, UL94 V-0 COLOR: SEE SHEET 3
ターミナル TERMINAL	黄銅 BRASS 錫めっき: 1.0 micro-meter MIN. TIN
	ニッケルめっき(下地): 1.0 micro-meter MIN. NICKEL (UNDER PLATING)
ネイル NAIL	黄銅 BRASS 錫めっき: 1.0 micro-meter MIN. TIN
	ニッケルめっき(下地): 1.0 micro-meter MIN. NICKEL (UNDER PLATING)

RELEASED EC No.: J2014-0166 DRWN:SSATO02 2013/07/29 CHKD:KASAKAWA 2013/07/30 APPR:NUKITA 2013/08/08	DESCRIPTION REV	GENERAL TOLERANCES (UNLESS SPECIFIED)	DIMENSION STYLE MM ONLY	SCALE 5:1	DESIGN UNITS METRIC	THIRD ANGLE PROJECTION
		10 UNDER ±0.2	DRAWN BY SSAT002	DATE 2013/07/29	TITLE 1.25 WTB SINGLE SMT ST PLUG ASS'Y	
		10 OVER 30 UNDER ±0.25	CHECKED BY KASAKAWA	DATE 2013/07/30		
		30 OVER ±0.3	APPROVED BY NUKITA	DATE 2013/08/08		
ANGULAR ±1°	MATERIAL NO.	SEE SHEET 3	DOCUMENT NO.	SD-504194-002	SHEET NO. 1 OF 3	
DRAFT WHERE APPLICABLE MUST REMAIN WITHIN DIMENSIONS	SIZE A3	THIS DRAWING CONTAINS INFORMATION THAT IS PROPRIETARY TO MOLEX INCORPORATED AND SHOULD NOT BE USED WITHOUT WRITTEN PERMISSION				

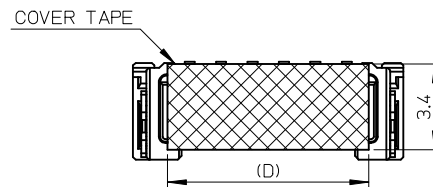


2~13 CKT.

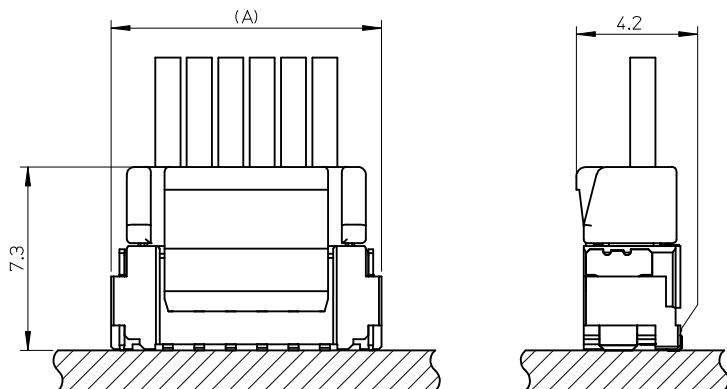


14~16 CKT.

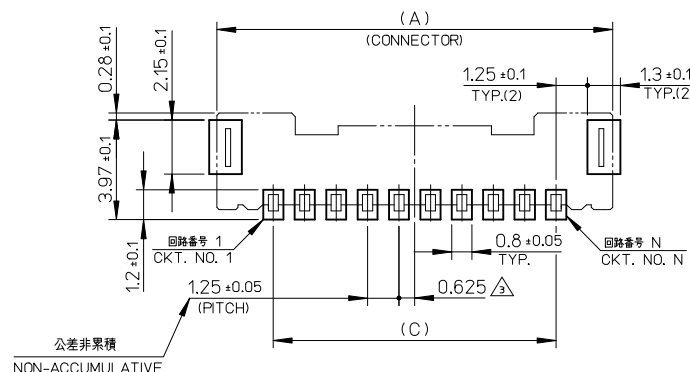
係止形状違い  
DIFFERENCE OF LOCK SHAPE



COVER TAPE  
吸着範囲  
VACUME AREA



嵌合図  
MATED CONNECTORS



推奨基板レイアウト  
RECOMMENDED P.C.B. PATTERN LAYOUT  
(参考:メタルマスク厚さ:150μm, マスク開口率100%)  
(REFERENCE:MATAL MASK THICKNESS:150μm, APERTURE RASIO:100%)

RELEASED EC NO: J2014-0166 DRW:SSAIT002 2013/07/29 CHKD:KASAKAWA 2013/07/30 APPR:NUKITA 2013/08/08 O	DESCRIPTION REV	GENERAL TOLERANCES (UNLESS SPECIFIED)		DIMENSION STYLE MM ONLY		SCALE 5:1	DESIGN UNITS METRIC	THIRD ANGLE PROJECTION	
		10 UNDER	± 0.2	DRAWN BY SSAT002	DATE 2013/07/29	TITLE 1.25 WTB SINGLE SMT ST PLUG ASS'Y			
		10 OVER 30 UNDER	± 0.25	CHECKED BY KASAKAWA	DATE 2013/07/30				
		30 OVER	± 0.3	APPROVED BY NUKITA	DATE 2013/08/08				
		ANGULAR ±1 °		MATERIAL NO. SEE SHEET 3		DOCUMENT NO. SD-504194-002		SHEET NO. 2 OF 3	
DRAFT WHERE APPLICABLE MUST REMAIN WITHIN DIMENSIONS		SIZE A3		THIS DRAWING CONTAINS INFORMATION THAT IS PROPRIETARY TO MOLEX INCORPORATED AND SHOULD NOT BE USED WITHOUT WRITTEN PERMISSION					

ELV AND RoHS COMPLIANT

HSG COLOR ORANGE	HSG COLOR GREEN	HSG COLOR BLUE	HSG COLOR YELLOW	HSG COLOR RED	HSG COLOR BLACK	HSG COLOR NATURAL(BEIGE)		
5041941678	5041941676	5041941674	5041941673	5041941672	5041941671	5041941670	16	
5041941578	5041941576	5041941574	5041941573	5041941572	5041941571	5041941570	15	
5041941478	5041941476	5041941474	5041941473	5041941472	5041941471	5041941470	14	
5041941378	5041941376	5041941374	5041941373	5041941372	5041941371	5041941370	13	
5041941278	5041941276	5041941274	5041941273	5041941272	5041941271	5041941270	12	
5041941178	5041941176	5041941174	5041941173	5041941172	5041941171	5041941170	11	
5041941078	5041941076	5041941074	5041941073	5041941072	5041941071	5041941070	10	
5041940978	5041940976	5041940974	5041940973	5041940972	5041940971	5041940970	9	
5041940878	5041940876	5041940874	5041940873	5041940872	5041940871	5041940870	8	
5041940778	5041940776	5041940774	5041940773	5041940772	5041940771	5041940770	7	
5041940678	5041940676	5041940674	5041940673	5041940672	5041940671	5041940670	6	
5041940578	5041940576	5041940574	5041940573	5041940572	5041940571	5041940570	5	
5041940478	5041940476	5041940474	5041940473	5041940472	5041940471	5041940470	4	
5041940378	5041940376	5041940374	5041940373	5041940372	5041940371	5041940370	3	
5041940278	5041940276	5041940274	5041940273	5041940272	5041940271	5041940270	2	
EMBOSSSED TAPE PACKAGE オーダー番号 ORDER NO.	EMBOSSSED TAPE PACKAGE オーダー番号 ORDER NO.	EMBOSSSED TAPE PACKAGE オーダー番号 ORDER NO.	EMBOSSSED TAPE PACKAGE オーダー番号 ORDER NO.	EMBOSSSED TAPE PACKAGE オーダー番号 ORDER NO.	EMBOSSSED TAPE PACKAGE オーダー番号 ORDER NO.	EMBOSSSED TAPE PACKAGE オーダー番号 ORDER NO.	EMBOSSSED TAPE PACKAGE オーダー番号 ORDER NO.	極数 CKT.NO

RELEASED EC NO: J2014-0166 DRWN:SSAT002 CHKD:KASAKAWA APPR:NUKITA 2013/07/30 2013/08/08	GENERAL TOLERANCES (UNLESS SPECIFIED)		DIMENSION STYLE <b>MM ONLY</b>		SCALE <b>5:1</b>	DESIGN UNITS <b>METRIC</b>	THIRD ANGLE PROJECTION	
	10 UNDER	± 0.2	DRAWN BY SSAT002	DATE 2013/07/29	TITLE <b>1.25 WTB SINGLE SMT ST PLUG ASS'Y</b>			
	10 OVER 30 UNDER	± 0.25	CHECKED BY KASAKAWA	DATE 2013/07/30				
	30 OVER	± 0.3	APPROVED BY NUKITA	DATE 2013/08/08				
	ANGULAR ±1 °		MATERIAL NO. <b>SEE TABLE</b>		DOCUMENT NO. <b>SD-504194-002</b>		SHEET NO. 3 OF 3	
DRAFT WHERE APPLICABLE MUST REMAIN WITHIN DIMENSIONS		SIZE <b>A3</b> THIS DRAWING CONTAINS INFORMATION THAT IS PROPRIETARY TO MOLEX INCORPORATED AND SHOULD NOT BE USED WITHOUT WRITTEN PERMISSION						