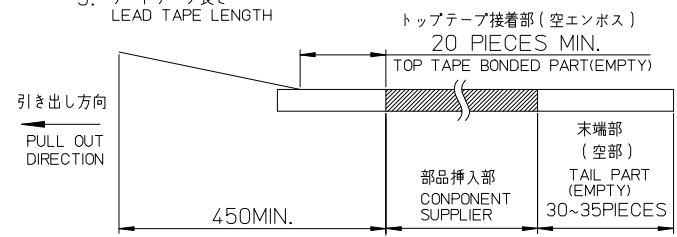


NOTES

- 製品詳細寸法は製品単体図面を参照して下さい。
FOR DETAIL OF CONNECTOR DIMENSIONS,
PLEASE SEE THE DRAWING OF CONNECTOR ITSELF (NOT PACKAGED).
- 梱包数量 : 1200個
NUMBER OF CONNECTORS : 1200 PIECES/REEL.
- リードテープ長さ
LEAD TAPE LENGTH




- 材料 MATERIAL
キャリアテープ : ポリスチレン (PS)
CARRIER TAPE : POLYSTYRENE (PS)
トップテープ : ポリエステル (PET)、その他
TOP TAPE : POLYESTER (PET)、OTHER
リール : ポリスチレン (PS) <リサイクル材を含む>
REEL : POLYSTYRENE (PS) <RECYCLE MATERIAL CONTAINED>
- トップテープの剥離強度については、IEC60286-3に準拠。
TOP TAPE PEEL FORCE IS DEFINED BY IEC60286-3.

49.4	45.4	20.2	44	504195167*	16
49.4	45.4	20.2	44	504195157*	15
49.4	45.4	20.2	44	504195147*	14
37.4	33.4	14.2	32	504195137*	13
37.4	33.4	14.2	32	504195127*	12
37.4	33.4	14.2	32	504195117*	11
37.4	33.4	14.2	32	504195107*	10
29.4	25.4	11.5	24	504195097*	9
29.4	25.4	11.5	24	504195087*	8
29.4	25.4	11.5	24	504195077*	7
29.4	25.4	11.5	24	504195067*	6
29.4	25.4	11.5	24	504195057*	5
29.4	25.4	11.5	24	504195047*	4
21.4	17.4	7.5	16	504195037*	3
21.4	17.4	7.5	16	504195027*	2
D	C	B	エンボステープ幅 WIDTH OF TAPE A	エンボス梱包 EMBOSSSED TAPE PACKAGE オーダー番号 ORDER NO.	極数 (KT. NO.)

RELEASED EC NO: J2014-0166 DRW:SSAT002 2013/07/29 CHKD:KASAKAWA 2013/07/30 APPR:NUKITA 2013/08/08	GENERAL TOLERANCES (UNLESS SPECIFIED)		DIMENSION STYLE	SCALE	DESIGN UNITS	THIRD ANGLE PROJECTION
			MM ONLY	2:1	METRIC	
	10 UNDER	±0.2	DRAWN BY	DATE	TITLE	
	10 OVER 30 UNDER	±0.25	SSAT002	2013/07/29	EMBOSSSED TAPE PKG FOR 1.25 WTB SINGLE RA SMT	
		30 OVER	±0.3	CHECKED BY	DATE	
		ANGULAR ±1 °		KASAKAWA	2013/07/30	
		DRAFT WHERE APPLICABLE MUST REMAIN WITHIN DIMENSIONS		APPROVED BY	DATE	
				NUKITA	2013/08/08	
				MATERIAL NO.	DOCUMENT NO.	
				SEE SHEET 2		SD-504195-001
				THIS DRAWING CONTAINS INFORMATION THAT IS PROPRIETARY TO MOLEX INCORPORATED AND SHOULD NOT BE USED WITHOUT WRITTEN PERMISSION		SHEET NO. 1 OF 2

ELV AND RoHS COMPLIANT

HSG COLOR ORANGE	HSG COLOR GREEN	HSG COLOR BLUE	HSG COLOR YELLOW	HSG COLOR RED	HSG COLOR BLACK	HSG COLOR NATURAL (BEIGE)	
5041951678	5041951676	5041951674	5041951673	5041951672	5041951671	5041951670	16
5041951578	5041951576	5041951574	5041951573	5041951572	5041951571	5041951570	15
5041951478	5041951476	5041951474	5041951473	5041951472	5041951471	5041951470	14
5041951378	5041951376	5041951374	5041951373	5041951372	5041951371	5041951370	13
5041951278	5041951276	5041951274	5041951273	5041951272	5041951271	5041951270	12
5041951178	5041951176	5041951174	5041951173	5041951172	5041951171	5041951170	11
5041951078	5041951076	5041951074	5041951073	5041951072	5041951071	5041951070	10
5041950978	5041950976	5041950974	5041950973	5041950972	5041950971	5041950970	9
5041950878	5041950876	5041950874	5041950873	5041950872	5041950871	5041950870	8
5041950778	5041950776	5041950774	5041950773	5041950772	5041950771	5041950770	7
5041950678	5041950676	5041950674	5041950673	5041950672	5041950671	5041950670	6
5041950578	5041950576	5041950574	5041950573	5041950572	5041950571	5041950570	5
5041950478	5041950476	5041950474	5041950473	5041950472	5041950471	5041950470	4
5041950378	5041950376	5041950374	5041950373	5041950372	5041950371	5041950370	3
5041950278	5041950276	5041950274	5041950273	5041950272	5041950271	5041950270	2
EMBOSSSED TAPE PACKAGE オーダー番号 ORDER NO.	EMBOSSSED TAPE PACKAGE オーダー番号 ORDER NO.	EMBOSSSED TAPE PACKAGE オーダー番号 ORDER NO.	EMBOSSSED TAPE PACKAGE オーダー番号 ORDER NO.	EMBOSSSED TAPE PACKAGE オーダー番号 ORDER NO.	EMBOSSSED TAPE PACKAGE オーダー番号 ORDER NO.	EMBOSSSED TAPE PACKAGE オーダー番号 ORDER NO.	極数 CKT.NO.

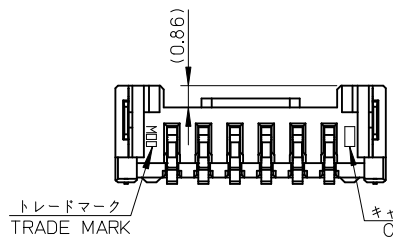
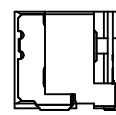
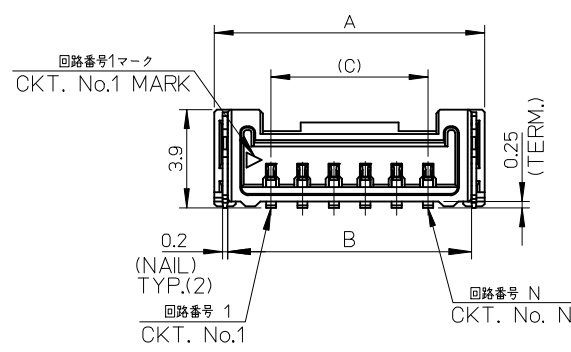
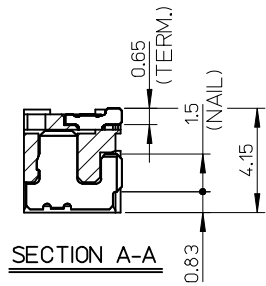
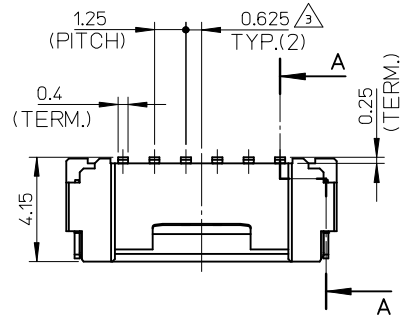
RELEASED EC NO: J2014-0166 DRWN:SSAT002 2013/07/29 CHKD:KASAKAWA 2013/07/30 APPR:NUKITA 2013/08/08	DESCRIPTION	GENERAL TOLERANCES (UNLESS SPECIFIED)	DIMENSION STYLE MM ONLY	SCALE 2:1	DESIGN UNITS METRIC	THIRD ANGLE PROJECTION	
	REV	10 UNDER ± 0.2	DRAWN BY DATE SSAT002 2013/07/29	TITLE EMBOSSSED TAPE PKG FOR 1.25 WTB SINGLE RA SMT			
		10 OVER 30 UNDER ± 0.25	CHECKED BY DATE KASAKAWA 2013/07/30				
		30 OVER ± 0.3	APPROVED BY DATE NUKITA 2013/08/08				
		ANGULAR ± 1 °	MATERIAL NO. SEE TABLE	DOCUMENT NO. SD-504195-001	SHEET NO. 2 OF 2		
	DRAFT WHERE APPLICABLE MUST REMAIN WITHIN DIMENSIONS	THIS DRAWING CONTAINS INFORMATION THAT IS PROPRIETARY TO MOLEX INCORPORATED AND SHOULD NOT BE USED WITHOUT WRITTEN PERMISSION					

NOTES

1. 嵌合相手: 504193**0*
MATE WITH: 504193**0*
2. 端子テール部 及び ネイルの平坦度: 0.1MAX.
TAIL AND NAIL COPLANARITY TO BE 0.1 MAX.
3. \triangle 極数/2=偶数に適用。
APPLY FOR CKT. SIZE / 2 = EVEN.
4. 端子テール部 及び ネイルに錫めっきを使用しているため、
外觀に摺動痕が付く場合が御座います。
THE WOUND OF FRICTION MIGHT ADHERE TO EXTERNALS
BECAUSE THE TIN PLATING IS USED FOR THE TAIL AND NAIL.
5. 本製品のプラスチック部に黒点等が確認される場合や
色合いが異なる場合がありますが、製品性能に影響はありません。
THERE IS NO INFLUENCE IN THE PRODUCT PERFORMANCE THOUGH
THE BLACK SPOT ETC. MIGHT BE CONFIRMED TO THE PLASTIC PART
OF THIS PRODUCT AND THE SHADE MIGHT BE DIFFERENT.
6. アプリケーション仕様書(コネクタ取扱説明書): AS-504193-001/-002
APPLICATION SPECIFICATIONS(CONNECTOR MANUAL): AS-504193-001/-002
7. 製品仕様書: PS-504193-001
PRODUCT SPECIFICATION: PS-504193-001
8. 製品番号 MATERIAL No.

504195**0*
極数 ↑ ↑ 色
CIRCUIT SIZE COLOR

NO.	COLOR
0	NATURAL
1	BLACK
2	RED
3	YELLOW
4	BLUE
6	GREEN
8	ORANGE

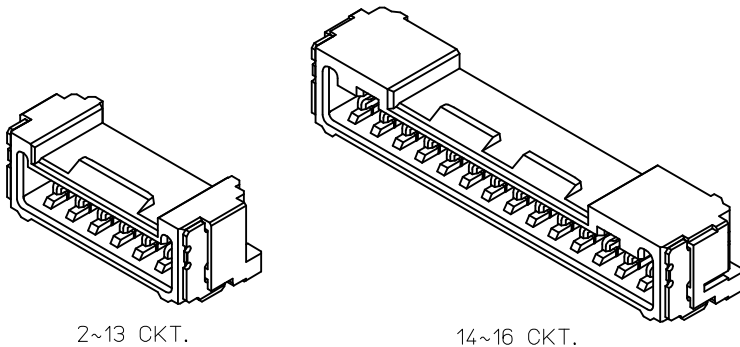


10.7	18.75	22.2	23.25	504195167*	16
10.7	17.5	20.95	22	504195157*	15
10.7	16.25	19.7	20.75	504195147*	14
9.2	15	18.45	19.5	504195137*	13
9.2	13.75	17.2	18.25	504195127*	12
9.2	12.5	15.95	17	504195117*	11
9.2	11.25	14.7	15.75	504195107*	10
6.7	10	13.45	14.5	504195097*	9
6.7	8.75	12.2	13.25	504195087*	8
6.7	7.5	10.95	12	504195077*	7
6.6	6.25	9.7	10.75	504195067*	6
5.35	5	8.45	9.5	504195057*	5
4.1	3.75	7.2	8.25	504195047*	4
2.85	2.5	5.95	7	504195037*	3
1.9	1.25	4.7	5.75	504195027*	2
D	C	B	A	EMBOSSED TAPE PACKAGE	極数
				オーダー番号	CKT. NO.
				ORDER NO.	

部品 PART	材質 MATERIAL
ハウジング HOUSING	ポリアミド(PA), ガラス充填, UL94 V-0, 色: SEET3参照 POLYAMIDE(PA), GALASS FILED, UL94 V-0, COLOR: SEE SHEET 3
ターミナル TERMINAL	黄銅 BRASS 錫めっき: 1.0 micro-meter MIN. TIN ニッケルめっき(下地): 1.0 micro-meter MIN. NICKEL (UNDER PLATING)
ネイル NAIL	黄銅 BRASS 錫めっき: 1.0 micro-meter MIN. TIN ニッケルめっき(下地): 1.0 micro-meter MIN. NICKEL (UNDER PLATING)

REV	DESCRIPTION	DATE	BY
0	RELEASED	2013/07/29	SSAT002
	DRWN:SSAT002	2013/07/30	CHKD:KASAKAWA
	APPR:NUKITA	2013/08/08	

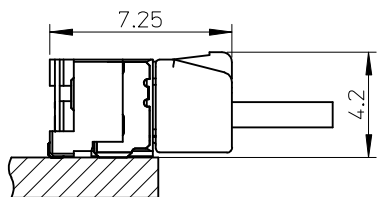
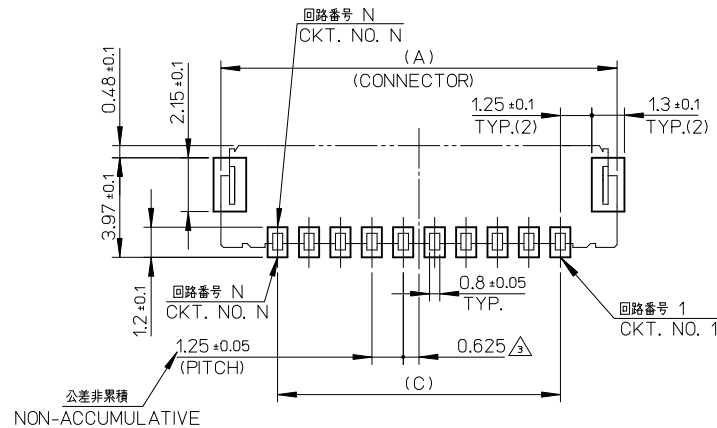
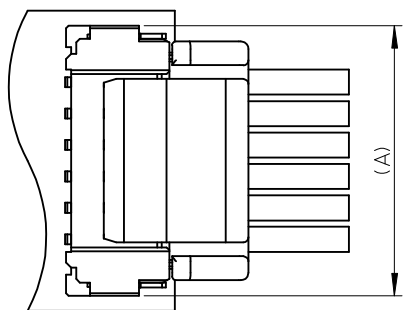
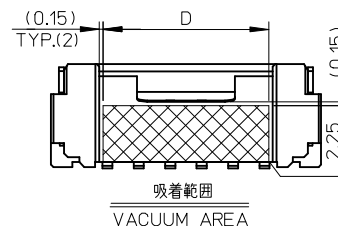
GENERAL TOLERANCES (UNLESS SPECIFIED)		DIMENSION STYLE		SCALE	DESIGN UNITS	THIRD ANGLE PROJECTION	
10 UNDER	±0.2	MM ONLY		5:1	METRIC	1.25 WTB SINGLE SMT RA PLUG ASS'Y	
10 OVER 30 UNDER	±0.25	DRAWN BY	DATE	TITLE			
30 OVER	±0.3	SSAT002	2013/07/29	1.25 WTB SINGLE SMT RA PLUG ASS'Y			
ANGULAR ±1°		CHECKED BY	DATE				
DRAFT WHERE APPLICABLE MUST REMAIN WITHIN DIMENSIONS		KASAKAWA	2013/07/30				
		APPROVED BY	DATE	MATERIAL NO.	DOCUMENT NO.	SHEET NO.	
		NUKITA	2013/08/08	SEE SHEET 3	SD-504195-002	1 OF 3	
		THIS DRAWING CONTAINS INFORMATION THAT IS PROPRIETARY TO MOLEX INCORPORATED AND SHOULD NOT BE USED WITHOUT WRITTEN PERMISSION					



2~13 CKT.

14~16 CKT.

係止形状違い
DIFFERENCE OF LOCK SHAPE




嵌合図
MATED CONNECTORS

RELEASED EC NO: J2014-0166 DRW:SSAT002 2013/07/29 CHKD:KASAKAWA 2013/07/30 APPR:NUKITA 2013/08/08	GENERAL TOLERANCES (UNLESS SPECIFIED)		DIMENSION STYLE	SCALE	DESIGN UNITS	THIRD ANGLE PROJECTION	
			MM ONLY	5:1	METRIC		
	10 UNDER	± 0.2	DRAWN BY	DATE	TITLE	1.25 WTB SINGLE SMT RA PLUG ASS'Y molex SD-504195-002	
	10 OVER 30 UNDER	± 0.25	SSAT002	2013/07/29			
30 OVER	± 0.3	CHECKED BY	DATE				
ANGULAR	± 1 °	KASAKAWA	2013/07/30		SHEET NO. 2 OF 3		
DRAFT WHERE APPLICABLE MUST REMAIN WITHIN DIMENSIONS		APPROVED BY	DATE				
		NUKITA	2013/08/08				
		MATERIAL NO.	SEE SHEET 3				
		SIZE	THIS DRAWING CONTAINS INFORMATION THAT IS PROPRIETARY TO MOLEX INCORPORATED AND SHOULD NOT BE USED WITHOUT WRITTEN PERMISSION				

ELV AND RoHS COMPLIANT

HSG COLOR ORANGE	HSG COLOR GREEN	HSG COLOR BLUE	HSG COLOR YELLOW	HSG COLOR RED	HSG COLOR BLACK	HSG COLOR NATURAL (BEIGE)	
5041951678	5041951676	5041951674	5041951673	5041951672	5041951671	5041951670	16
5041951578	5041951576	5041951574	5041951573	5041951572	5041951571	5041951570	15
5041951478	5041951476	5041951474	5041951473	5041951472	5041951471	5041951470	14
5041951378	5041951376	5041951374	5041951373	5041951372	5041951371	5041951370	13
5041951278	5041951276	5041951274	5041951273	5041951272	5041951271	5041951270	12
5041951178	5041951176	5041951174	5041951173	5041951172	5041951171	5041951170	11
5041951078	5041951076	5041951074	5041951073	5041951072	5041951071	5041951070	10
5041950978	5041950976	5041950974	5041950973	5041950972	5041950971	5041950970	9
5041950878	5041950876	5041950874	5041950873	5041950872	5041950871	5041950870	8
5041950778	5041950776	5041950774	5041950773	5041950772	5041950771	5041950770	7
5041950678	5041950676	5041950674	5041950673	5041950672	5041950671	5041950670	6
5041950578	5041950576	5041950574	5041950573	5041950572	5041950571	5041950570	5
5041950478	5041950476	5041950474	5041950473	5041950472	5041950471	5041950470	4
5041950378	5041950376	5041950374	5041950373	5041950372	5041950371	5041950370	3
5041950278	5041950276	5041950274	5041950273	5041950272	5041950271	5041950270	2
EMBOSSSED TAPE PACKAGE オーダー番号 ORDER NO.	EMBOSSSED TAPE PACKAGE オーダー番号 ORDER NO.	EMBOSSSED TAPE PACKAGE オーダー番号 ORDER NO.	EMBOSSSED TAPE PACKAGE オーダー番号 ORDER NO.	EMBOSSSED TAPE PACKAGE オーダー番号 ORDER NO.	EMBOSSSED TAPE PACKAGE オーダー番号 ORDER NO.	EMBOSSSED TAPE PACKAGE オーダー番号 ORDER NO.	極数 CKT.NO.

RELEASED EC NO: J2014-0166 DRWN:SSAT002 2013/07/29 CHKD:KASAKAWA 2013/07/30 APPR:NUKITA 2013/08/08	GENERAL TOLERANCES (UNLESS SPECIFIED)		DIMENSION STYLE MM ONLY		SCALE 5:1	DESIGN UNITS METRIC	THIRD ANGLE PROJECTION
	10 UNDER	±0.2	DRAWN BY SSAT002	DATE 2013/07/29	TITLE 1.25 WTB SINGLE SMT RA PLUG ASS'Y		
	10 OVER 30 UNDER	±0.25	CHECKED BY KASAKAWA	DATE 2013/07/30			
	30 OVER	±0.3	APPROVED BY NUKITA	DATE 2013/08/08			
	ANGULAR ±1 °		MATERIAL NO. SEE TABLE		DOCUMENT NO. SD-504195-002	SHEET NO. 3 OF 3	
DRAFT WHERE APPLICABLE MUST REMAIN WITHIN DIMENSIONS		SIZE A3	THIS DRAWING CONTAINS INFORMATION THAT IS PROPRIETARY TO MOLEX INCORPORATED AND SHOULD NOT BE USED WITHOUT WRITTEN PERMISSION				