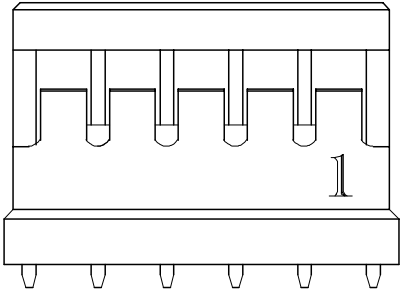
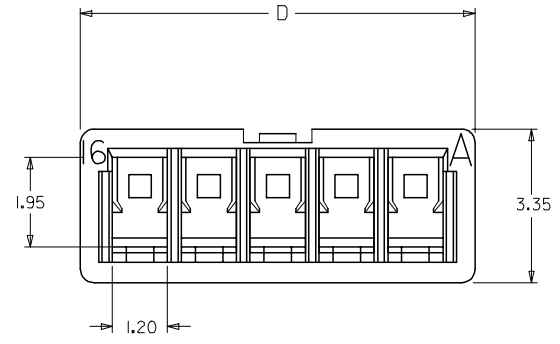
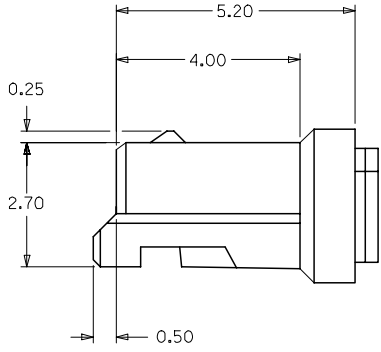
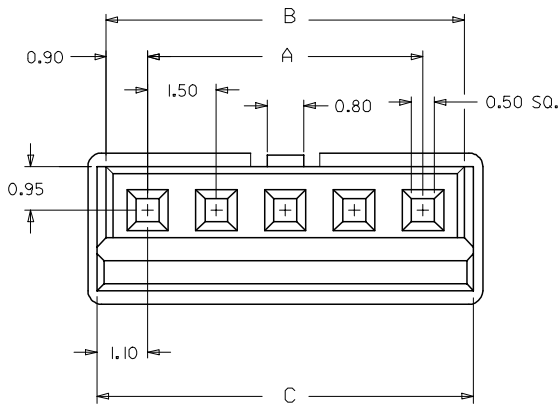


DWG. NO. SD 87439-***00

CAD FILE S87439.DGN

DO NOT SCALE DRAWING



| PART NO. | NO. OF CKT's | A | B | C | D |
|------------|--------------|-------|-------|-------|-------|
| 87439-0200 | 2 | 1.50 | 3.30 | 3.70 | 4.10 |
| 87439-0300 | 3 | 3.00 | 4.80 | 5.20 | 5.60 |
| 87439-0400 | 4 | 4.50 | 6.30 | 6.70 | 7.10 |
| 87439-0500 | 5 | 6.00 | 7.80 | 8.20 | 8.60 |
| 87439-0600 | 6 | 7.50 | 9.30 | 9.70 | 10.10 |
| 87439-0700 | 7 | 9.00 | 10.80 | 11.20 | 11.60 |
| 87439-0800 | 8 | 10.50 | 12.30 | 12.70 | 13.10 |
| 87439-0900 | 9 | 12.00 | 13.80 | 14.20 | 14.60 |
| 87439-1000 | 10 | 13.50 | 15.30 | 15.70 | 16.10 |
| 87439-1100 | 11 | 15.00 | 16.80 | 17.20 | 17.60 |
| 87439-1200 | 12 | 16.50 | 18.30 | 18.70 | 19.10 |
| 87439-1300 | 13 | 18.00 | 19.80 | 20.20 | 20.60 |
| 87439-1400 | 14 | 19.50 | 21.30 | 21.70 | 22.10 |
| 87439-1500 | 15 | 21.00 | 22.80 | 23.20 | 23.60 |

NOTE: HOUSING TO ACCEPT MOLEX P/N 87421-0000

DIM.=mm

| | | | | | | | |
|-----------------|--|--|--|--|----|---|------|
| | | | | MATERIAL : NYLON 66, 94V-0 COLOR: NATURAL | | MOLEX SINGAPORE PTE LTD SHEET 1 OF 1 | |
| | | | | FINISH : NOT APPLICABLE | | GENERAL TOLERANCES ± 0.20/.008 | |
| | | | | DRAWN BY JDK 940328 | | DWG. NO.: SD 87439-***00 | |
| | | | | CHK'D BY SK TOH 940421 | | TITLE : 1.50 mm PITCH, HOUSING, RECEPTACLE | |
| REVISION RECORD | | | | ECN | DR | CHK | DATE |
| REVISION RECORD | | | | ECN | DR | CHK | DATE |

THIS DRAWING CONTAINS INFORMATION THAT IS PROPRIETARY TO MOLEX (S)PTE LTD AND SHOULD NOT BE USED WITHOUT WRITTEN PERMISSION

| | | | | |
|----|---------------------|--------|----------|--------|
| A3 | REVISED PER ECN# | S60591 | LING TOH | 960619 |
| A2 | REVISED PER ECN# | S60427 | LING POH | 960311 |
| A1 | REVISED PER ECN# | S50567 | LING POH | 950525 |
| A | REVISED PER ECN# | S50336 | LING POH | 950306 |
| 3 | REVISED PER ECN# | S50086 | LING POH | 940914 |
| 2 | REVISED PER ECN# | S40529 | LING TOH | 940512 |
| 1 | PRELIMINARY RELEASE | S40480 | JDK TOH | 940328 |